

浙江新德宝机械有限公司
ZHEJIANG NEW DEBAO
MACHINERY CO., LTD.

地址：浙江省温州市平阳县万全镇万都村冯宅自然村
ADD:FENGZHAI NATURAL VILLAGE, WANDU VILLAGE,
WANQUAN TOWN, PINGYANG COUNTY, ZHEJIANG PROVINCE, CHINA

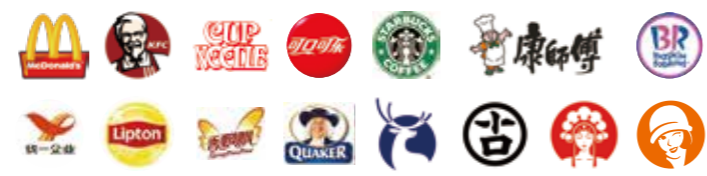
DOMESTIC SALES
TEL: 0577-65578789 / 65561111

OVERSEAS SALES
TEL: 0086-577-65568588
E-MAIL: DB@DEBAOCHINA.COM

微信公众号 新德宝官网 FACEBOOK YOUTUBE 抖音



我们服务 OUR CUSTOMERS



使用产品前请先阅读使用说明书，产品若有改变，恕不另行通知

 **NewTop 新德宝**

新德宝智能纸杯机 工作原来如此简单

NEWTOP INTELLIGENT PAPER CUP MACHINE,
MAKE THE WORK SO SIMPLE!



国家纸杯机标准制订者

CHINA PAPER CUP MACHINE INDUSTRY STANDARD-SETTER



2026-2版

浙江新德宝机械有限公司

国家高新技术企业  国家级专精特新“小巨人”企业 

浙江新德宝机械有限公司前身是“瑞安市德宝纸杯机械制造有限公司”，成立于2001年，2009年升级为“浙江新德宝机械有限公司”，是一家集软硬件研发、制造、营销于一体，行业技术领先的新饮食品容器成型装备智能化、数字化工厂的供应商。公司占地约58亩，建筑面积9万余平方米；现有员工550余人，拥有各类专业和高级技术职称人员近50人。新德宝人始终以追求高品质与技术领先为理念，为客户创造更高的价值而持续努力，用智能设备改变工作方式，使操作越来越简单。

新德宝的团队精干、专注、富有工匠精神。我们专注于食品包装容器设备领域20余年，注重团队建设和人才培养体系，打造刻苦钻研的技术研发梯队，以自我超越、努力深耕的态度，凭借勤奋专注精深的工匠精神，成就新德宝人技术领先、品质第一的理念，为客户提供5年的产品质量保证。现已研发成功的智能高速纸杯成型机+视觉检测+外贴+自动包装的智能型生产系统，为全球首创。

我们致力于纸杯工业4.0的研发，为客户提供全方位全系统最佳组合的整体解决方案，力求打造智能化无人车间、信息化物联网+、数字化管理系统。

新德宝的加工设备配置世界一流。公司目前配备了众多国际知名品牌的多轴联动（车铣复合-TURNMILLING COMPOUND）CNC数控加工设备，如德国德马吉（DMGMORI）、美国哈挺（HARDINGE）、韩国斗山（DOOSAN）、日本马扎克（MAZAK）、津上（TSUGAMI）等；同时实验室配有德国蔡司（ZEISS）三坐标、德国斯派克光谱仪、德国欧美伽对刀仪等等检验设备，提高了加工零件的检验精度，保证了纸杯机整体的可靠性，运行的稳定性和成型的高精度，从而使机器品质达到世界一流的标准。

经过二十年的刻苦钻研，新德宝已获得160多项专利，发明专利43项，软件著作权77项，并通过多项管理体系认证，其中包括：ISO9001: 2015国际质量管理体系认证、ISO14001: 2015环境管理体系认证、ISO45001:2018职业健康安全管理体系认证、GB/T29490: 2013知识产权管理体系认证，且产品均通过欧盟CE认证。

凭着多年的努力，新德宝陆续荣获：『国家高新技术企业』、『国家级专精特新“小巨人”企业』、『国家级知识产权优势企业』、『国家火炬计划产业化示范项目』、『浙江省科学技术成果奖』、『浙江省专利示范企业』、『浙江制造认证证书』（品字标认证）、『浙江省第一批制造业“云上企业”』、『浙江省数字化车间』、『浙江省企业研究院』、『浙江省制造业单项冠军培育企业』、『浙江省企业技术中心』、『浙江省首批企业数据官试点企业』、『温州市高成长型工业企业』、『温州市“最美工厂”』、『平阳县工业经济高质量发展三十强企业』等诸多荣誉，成为国内行业技术领先的新饮食品智能包装纸容器设备专业制造商。

新德宝的客户遍布世界各地，包括美国、德国、意大利、英国、韩国、东南亚及中东地区等等。众多知名餐饮品牌，如：星巴克（STARBUCKS）、可口可乐（COCACOLA）、麦当劳（MCDONALD'S）、瑞幸（LUCKIN COFFEE）、霸王茶姬、古茗、蜜雪冰城、康师傅、白象等公司的供应商，均选择新德宝的设备，并与新德宝建立长期的战略合作伙伴关系。

新德宝人将一如既往地勤勉奋进，打造世界一流智能食品纸容器包装设备的初心始终不会更改，我 我们只做一件事：把智能设备做到完美极致！用上就爱上，新德宝智能设备，工作原来如此简单！

ZHEJIANG NEW DEBAO MACHINERY CO.,LTD.

National high-tech enterprise  National specialized new "Little Giant" enterprises 

Zhejiang New Debao Machinery Co., Ltd. was formerly known as "Ruian Debao Paper Cup Machinery Manufacturing Co., Ltd.", established in 2001. In 2009, it was upgraded to "Zhejiang New Debao Machinery Co., Ltd.", which is a leading supplier of intelligent and digital factories for the production of new-generation paper containers for the food industry, specializing in the research, development, manufacturing, and marketing of both hardware and software solutions. The company covers an area of about 58 acres, with a construction area of more than 90,000 square meters. There are more than 550 employees, including nearly 50 people with various professional and senior technical titles. NewTop people pursue the concept of high quality and technology leading, strive to create higher value for customers. By changing the working mode with intelligent paper cup machine to make the operation more and more simple.

The team of NewTop is lean, dedicated and full of artisanship spirit. We focus on the field of paper cup machine for 20 years, concentrate to team building and personnel skill training system, create a R&D team of hard-working; with self-transcendence, hard-working attitude, relying on the spirit of diligence and dedicated craftsmen, to achieve the New Debao people have concept of technology leading and quality first. Based on this, we proudly provide customers with five years of quality guarantee. Now we have successfully developed an intelligent high-speed paper cup forming machine + visual inspection + sleeve insert + automatic packaging intelligent production system, which is the first in the world.

We are committed to the research and development of paper cup making industry 4.0, providing customers with a comprehensive system of the best combination of the overall solution; aiming to build intelligent unmanned workshop, information Internet of Things+, digital management system.

Our processing equipment are equipped with world-class CNC multi-axis Turning-Milling compound, such as DMG MORI, Hardinge, Doosan, TSUGAMI, Mazak, OKUMA and so on. The laboratory is equipped with Zeiss 3D coordinate detector, Mitutoyo roughness measuring instrument, profilometer and other inspection equipment, to achieve the accuracy of inspection for machine parts. These ensure the overall reliability, stability of running and high precision of paper cup machines, to enable the machine to achieve world-class product standards.

After over 20 years concentrate on research, NewTop has gained more than 160 patents and 77 software copyrights; the Enterprise has passed ISO 9001: 2015 International Quality System Certification, ISO 14001: 2015 Environmental Management System Certification, OHSAS 18001: 2007 Occupational Health and Safety Management System Certification, GB/T 29490: 2013 Intellectual Property Management System Certification, and all Products are certified by CE.

With years of efforts, we have the honor to get "National High-tech Enterprises", "National Torch Plan Industrialization Demonstration Project", "Provincial Famous Export Brand", "Provincial 'Specialized, Fined, Peculiar and Innovative' Enterprise", "Provincial Science and Technology Achievement Award", "Provincial Patent Demonstration Enterprise", "Made-in-Zhejiang Certification", "The First Batch of Manufacturing 'Cloud Enterprises' in Zhejiang Province", "Zhejiang Digital Workshop", "Zhejiang Enterprise Research Institute", "Zhejiang Province Manufacturing Single Champion Cultivation Enterprise", "Zhejiang Enterprise Technology Center", "Zhejiang Province First Batch of Enterprise Data Officer Pilot Enterprises", "Wenzhou High-growth Industrial Enterprise", "Wenzhou Most Beautiful Factory", "Pingyang County Industrial Economy High-quality Development Top 30 Enterprises", becoming the leading professional manufacturer of intelligent paper container machines in the industry.

Our customers are all over the world, they are in North America, Europe, Middle East and Asia. They are making paper cups with the machines of NewTop, supplying to Starbucks, Coca Cola, KFC, Master Kong, Luck-in coffee, Xiang Piao Piao (Senpure) and other famous enterprises.

NewTop will continue to work diligently to build the world's first-class intelligent paper cup machinery. We will never forget why we started and we will never change. We only do one thing: to make the smart equipment perfect! You will love it when you use it, NewTop Intelligent Paper Cup Machine, makes the work so simple!



新德宝只做一件事情： 把智能纸杯机做到完美极致！

Newtop strive only for excellent in making smart paper cup machine

我，我们在智造世界上 最高品质的智能纸杯机

We make the highest quality & Intelligent machine in the world

- 01 NEWTOP-258S
- 03 NEWTOP-228W
- 05 HORIZONTAL MACHINE PROCESS LAYOUT
- 07 NEWTOP-FB158S
- 09 NEWTOP-FB100S
- 11 NEWTOP-168S9
- 13 NEWTOP-168S9
- 15 NEWTOP-118S+SY
- 17 NEWTOP-118C
- 19 NEWTOP-168C
- 21 NEWTOP-FW125S
- 23 NEWTOP-FW125C
- 25 NEWTOP-1250S
- 27 NEWTOP-5000S
- 29 NEWTOP-1250D
- 31 NEWTOP-5000D
- 33 NEWTOP-FW125WT
- 35 NEWTOP-138WT
- 37 NEWTOP-118DT
- 39 NEWTOP-DXD110/150
- 41 NEWTOP-DKX530
- 43 NEWTOP-DK500
- 45 NEWTOP-YB150
- 47 MACHINE STANDARD AND OPTIONAL CHART
- 51 SOLUTIONS OF PAPER CUP
- 52 PAPER CUP FORMING PROCESS
- 53 5S SERVICE SYSTEM HONOR
- 54 NEW DEBAO REMOTE CONTROL
- 55 MAINTENANCE SYSTEM
- 56 PAPER CUP INDUSRY 4.0
- 57 OUR CLIENTS
- 58 CLIENTS' FACTORIES
- 59 CORPORATE CULTURE
- 60 PRODUCTION WORKSHOP

- Horizontal High Speed Intelligent Paper Cup Machine
- Horizontal High Speed Intelligent Paper Cup Machine
- 卧式机工艺布局
- Servo Paper Cup Machine
- Servo Paper Cup Machine
- High Speed Intelligent Paper Cup Machine
- 定制选择方案
- High Speed Intelligent Paper Cup Machine
- High Speed Intelligent Paper Cup Machine
- High Speed Intelligent Paper Cup Machine
- Servo Paper Cup Machine
- Servo Paper Cup Machine
- High Speed Intelligent Paper Cup Machine
- High Speed Intelligent Paper Cup Machine
- High Speed Intelligent Paper Cup Machine
- High Speed Intelligent Paper Cup Sleeve Machine
- High Speed Intelligent Paper Cup Sleeve Machine
- High Speed Intelligent paper Cup Packing Machine
- Intelligent Paper Cup Encasing Machine
- Paper Cup Encasing Machine
- High Speed Paper Cup Rim Flattening Machine

- 机型标配及选配表
- 纸杯工艺方案
- 纸杯成型工艺流程
- 5s服务体系
- 企业荣誉
- 远程维护支持系统
- 新德宝纸杯工业4.0
- 我们的客户
- 客户工厂展示
- 企业文化
- 生产车间

加工技术领先

Machining Leading Technology



马扎克 MAZAK



德马吉 DMGMORI



德马吉 DMGMORI



德国欧美伽对刀仪 OMEGA



蔡司三坐标 ZEISS



蔡司三坐标 ZEISS



德国斯派克光谱仪 SPECTRO

请扫描二维码关注“新德宝” SCAN THE QR CODE TO FOLLOW US



NEWTOP-258S

HORIZONTAL HIGH SPEED INTELLIGENT PAPER CUP MACHINE

卧式高速智能纸杯机



三工位卷口部分
TRIPLE CURLING STATIONS

卧式模具安装
HORIZONTAL MOULD INSTALLATION

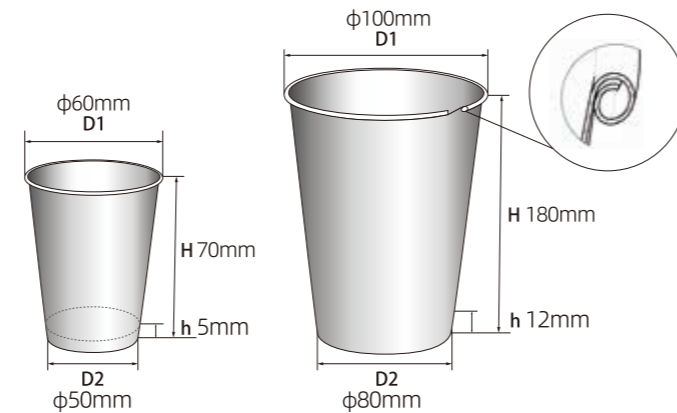
旋转送纸部分
ROTARY PAPER FEEDING STATION

一体式冲底成型机构
INTEGRATED BOTTOM PUNCHING MECHANISM

The horizontal high-speed intelligent paper cup machine is an intelligent machine with high load, high rigidity, high precision, high speed and perfect integration of machinery and servo. It obtained the American patent (certificate No.: US 11241857B2) on Feb. 8, 2022. In 2016, NewTop company set up a team to focus on the R&D of the horizontal high speed machine, examined, evaluated and selected plan. Overall design started in 2017 and the trial production was planned to be put into production in 2018. With the support of Master Kong Instant Noodle Production Technology Center, the horizontal bowl machine is required to be delivered for use in 2020. In June 2019, the test run of the first horizontal paper cup machine was completed. In September of the same year, the test run of the paper cup machine was successful, with the production rate reaching 170pcs/min. In August 2020, the first "998 paper bowl production line" was delivered for use in Master Kong's Nanjing Hekang Factory. Over 200 million paper bowls have been produced in 3 years, yet the equipment is still in good condition so far, and the production rate remains the same.

卧式高速智能纸杯机，它是一款智能化、重载高刚性，高精度、高速度，机械与伺服完美融合的智能机器，2022年2月8日荣获美国专利（证书编号US 11241857B2）。在2016年，公司立项组建团队，研发卧式高速机，考察评估规划选定方案；2017年开始整体设计；2018年投产试制，在康师傅方便面生产技术中心的大力支持下，要求卧式面碗机在2020年交付使用。2019年6月第一台卧式纸杯机试机完成，同年9月份纸碗机试机成功，机器每分钟生产速度达到170只。2020年8月第一条“998纸碗生产线”交付使用，在康师傅南京禾康工厂生产，在3年时间里生产已累计超过2亿只的纸碗，至今设备完好无损，且速度仍保持在每分钟生产170只。

型号	Model	NEWTOP-258S
重量	Weight	7500 kg
机器装箱规格	Machine encasement dimension	3300 x 2140 x 2250mm
额定功率	Rated power	Three-phase, 380V, 55KW
压缩空气	Compressed air	0.5-0.7 MPa, 0.5 m ³ /min
最大产能	Max Capacity	260 pcs/min
纸杯材料	Paper materials	Single PE / double PE / PLA
纸张厚度	Paper thickness	0.295-0.47mm
纸杯/纸碗规格	Product range	(D1) φ60-100mm (H)70-180mm (D2) φ50-80mm (h)5-12mm



www.debaochina.com



扫码观看258S机器视频

新德宝智能纸杯机，工作原来如此简单！
db@debaochina.com

MAX
260
PCS/MIN

NEWTOP-258S

卧式机系列
HORIZONTAL MACHINE SERIES



品质保证
WARRANTY



IKO NSK SMC ORION Schneider Electric FESTO SIEMENS

卧式机的优点 ADVANTAGES OF HORIZONTAL MACHINES

- 它的工艺流程布局，是以平行传动的方式组成克服了上下运动惯性，传动力学性能相比更平衡，以高精度高速共轭凸轮为主，每工序独立成型，工位承载量大、刚性强。理论设计传动每分钟可达1000次，在材质热处理工艺、精加工母机、测量仪器设备、加工技术工艺、装配流程等方面均采用最高标准，同时要求工厂体系化管理，其重载高刚性，高精度、高速度的性能优势尤其适用于生产高克重纸杯。
- 纸杯生产工艺流程，分别由三转台协同完成，纸杯成型稳定可靠。从①吸纸+②开牙转盘送纸加热+③杯夹粘合+④加热杯底滚花+⑤杯口成型，每道工序可控稳定，比立式机生产工序简单可靠，减少了百分之八十以上的故障率，提升了纸杯的品质和产量。
- 纸杯四工位中缝保压粘合，同速度时间对比是立式机的7倍以上，中缝粘合品质好，杯口圆度好。
- 杯底滚花总成高强度，恒压式滚花压力是立式机两倍以上，滚花轮360度传动双轴承机构的寿命是立式机的十倍，有效减少接缝渗漏。
- 高刚性三道卷边，第一道预卷倒角，第二道预卷11点钟左右，第三道加热定型卷边到1点钟方向，使杯口紧闭配盖尺寸稳定。
- 电控系统采用原版进口德国倍福高速运动控制器系统、Ethercat高速总线通讯，提供以太网Ethernet信息数字化提取窗口和支持机器与工厂的信息部ERP数据接口。物联网触摸屏可远程软件升级，辅助设备故障诊断，配备新德宝第六代智能操作系统，导航式软件操作系统。

*实际生产速度受产品尺寸、结构复杂度、原料特性及工艺要求影响，以最终方案推荐速度为准。
Actual production speed varies with product size, structure, material and process, and shall be subject to the final recommended speed.

NEWTOP INTELLIGENT PAPER CUP MACHINE

NEWTOP-228W

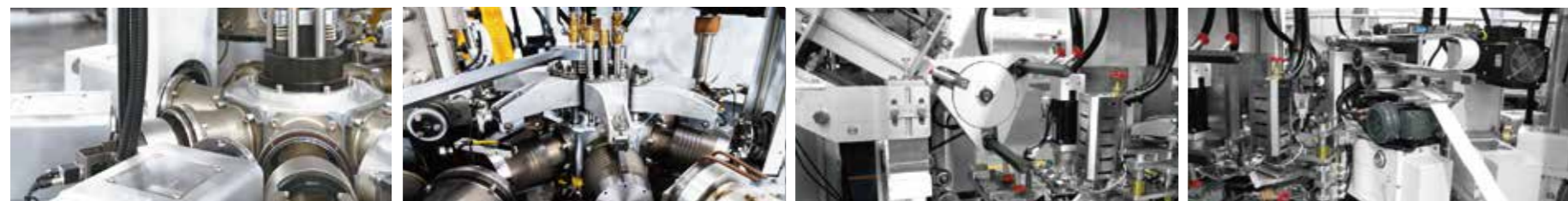
HORIZONTAL HIGH SPEED INTELLIGENT PAPER CUP MACHINE

卧式高速智能纸杯机

www.debaochina.com



扫码观看228W机器视频



三工位卷口部分
TRIPLE CURLING STATIONS

卧式模具安装
HORIZONTAL MOULD INSTALLATION

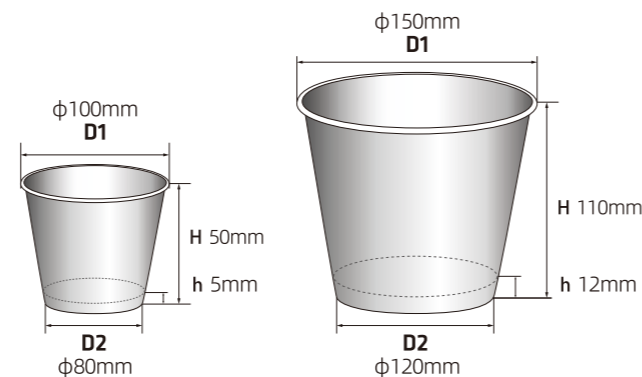
旋转送纸部分
ROTARY PAPER FEEDING STATION

一体式冲底成型机构
INTEGRATED BOTTOM PUNCHING MECHANISM

NEWTOP-228W horizontal type high speed intelligent paper cup/bowl machine adopts integrated layout on upper-side and lower-side of the table. The mold forming part is installed on the table, while the forming process is distributed around three independently driven turrets which are set in the way of 4-7-7 configuration. The main drive section under the table is connected by globoidal indexing cams and gears. The transmission parts are in a sealed-case and lubricated by spraying. The machine is controlled by PLC and servo motion controller, the whole process is monitored by photoelectric sensors, feeding by sevro. This machine is good for making 11-43oz cold/hot bowls.

NEWTOP-228W卧式高速智能纸杯机采用台板上下一体式布局，台板上为模具成型部分，成型工艺流程分布在三个独立驱动的转塔周围，以4-7-7的方式设置。台板下为主传动部分，以弧面分度凸轮+齿轮进行传动连接。传动部件采用箱体密闭式喷淋润滑。全机由PLC+伺服运动控制，全程光电跟踪监控，伺服供料控制。适合生产11-43oz冷/热纸碗。

型号	Model	NEWTOP-228W
重量	Weight	7500 kg
机器装箱规格	Machine encasement dimension	3300 x 2140 x 2250mm
额定功率	Rated power	Three-phase, 380V, 65KW
压缩空气	Compressed air	0.5-0.7 MPa, 0.6 m ³ /min
最大产能	Max Capacity	180 pcs/min
纸杯材料	Paper materials	Single PE / double PE / PLA
纸张厚度	Paper thickness	0.295-0.47mm
纸杯/纸碗规格	Product range	(D1) φ100-150mm (H)50-110mm (D2) φ80-120mm (h)5-12mm



新德宝智能纸杯机, 工作原来如此简单!
db@debaochina.com

MAX
180
PCS/MIN



卧式机系列
PAPER BOWL MACHINE SERIES

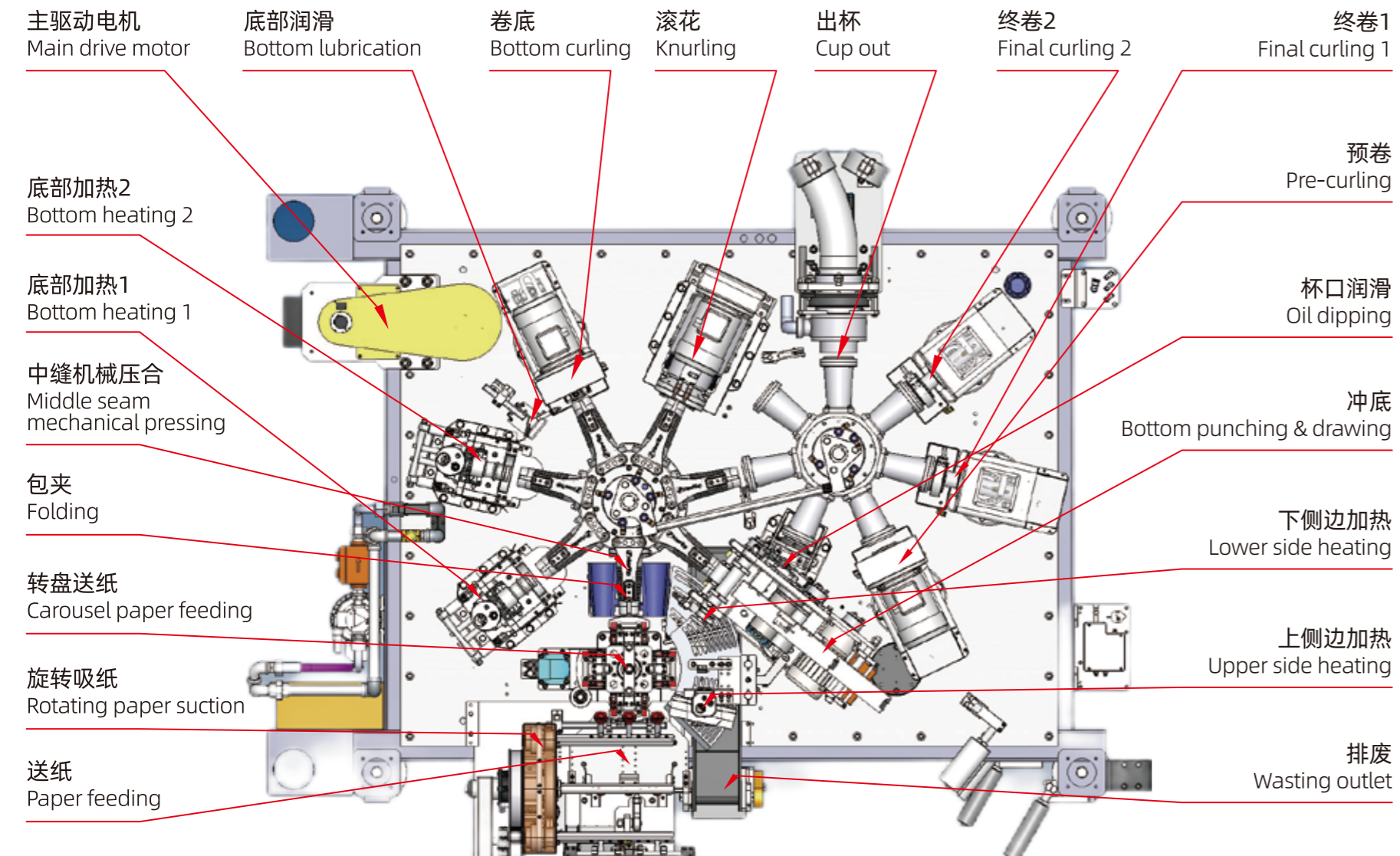


品质保证
WARRANTY



*实际生产速度受产品尺寸、结构复杂度、原料特性及工艺要求影响，以最终方案推荐速度为准。
Actual production speed varies with product size, structure, material and process, and shall be subject to the final recommended speed.

卧式机工艺布局
**HORIZONTAL MACHINE
 PROCESS LAYOUT**



NEWTOP-FB158S

SERVO PAPER CUP MACHINE

伺服纸杯机



扫码观看FB158S机器视频



单旋转吸纸 SINGLE ROTARY PAPER SUCTION

热风+超声波 HOT AIR + ULTRASONIC

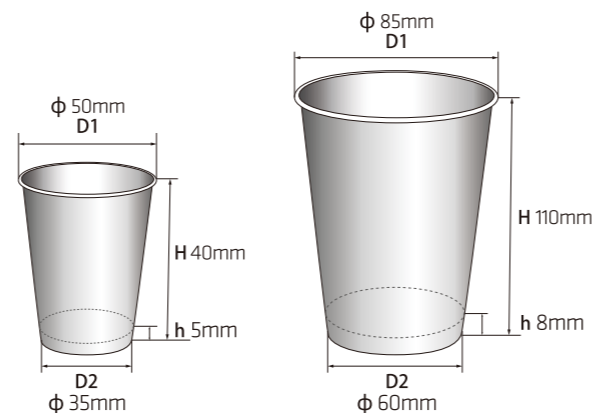
杯底三道热风 TRIPLE HOT AIR

伺服转盘部分 SERVO TURNTABLE SECTION

NEWTOP-FB158S servo paper cup machine is an efficient, intelligent and environmentally friendly paper cup forming machine. It adopts digital control mode and uses servo motor to control the paper cup forming process with high precision to achieve fast, accurate and stable paper cup forming effect. The control part integrates various techniques such as Ethernet real-time control technology, distributed clock mechanism, electronic cam technology and common DC bus to control efficiently stably and precisely. This machine is good for making 2.5-12oz paper cups, and the production speed can reach up to 175pcs/min.

NEWTOP-FB158S型伺服纸杯机是一种高效、智能、环保的纸杯成型机器，采用数字化控制模式，通过伺服电机对纸杯成型过程进行高精度控制，以实现快速、准确、稳定的纸杯成型控制部分采用多种技术，包括以太网实时控制技术，分散式时钟机制，电子凸轮技术和共直流母线方案等，旨在实现高效、稳定、精准的控制。该机型适用于2.5oz-12oz的纸杯生产，生产速度最高可达175pcs/min。

型号	Model	NEWTOP-FB158S
重量	Weight	2500kg
机器装箱规格	Machine encasement dimension	2300x1600x2000mm
计杯架装箱规格	Cup counting holder packing specification	1230x610x1900mm
额定功率	Rated power	Three-phase 380V, 22KW
压缩空气	Compressed air	0.5-0.7MPa, 0.3m³/min
最大产能	Max Capacity	175pcs/min
纸杯材料	Paper materials	Single PE/Double PE
纸张厚度	Paper thickness	0.22-0.45mm
纸杯规格	Product range	(D1)φ 50-85mm (H)40-110mm (D2)φ 35-60mm (h)5-8mm



MAX
175
PCS/MIN

NEWTOP-FB158S



伺服纸杯机系列 SERVO PAPER CUP MACHINE SERIES



品质保证
WARRANTY



XINJE 亞德客 AIRTAC NSK Schneider Electric Panasonic

DEBAO-100S经过十多年的市场应用优化、迭代，其性能表现的质量及速度始终如一，稳定持久耐用，赢得了广大客户的信赖，树立了新德宝的品牌。新德宝技术团队总结过去，面向未来，在FB158S设计传承过去的稳定持久耐用结构及部件工艺，设计升级重点部位，加以伺服电机及运控系统，其优点：

- ①更稳定、高效，更节能
- ②更智能、数字化，操作更简单，系统导图指引，自学习图标调节机器的参数
- ③体积小，为小杯、薄纸市场通用纸杯而专机设计
- ④4小时快速换模

*实际生产速度受产品尺寸、结构复杂度、原料特性及工艺要求影响，以最终方案推荐速度为准。
Actual production speed varies with product size, structure, material and process, and shall be subject to the final recommended speed.

NEWTOP INTELLIGENT PAPER CUP MACHINE

NEWTOP-FB100S

SERVO PAPER CUP MACHINE

伺服纸杯机

www.debaochina.com



扫码观看FB100S机器视频



单旋转吸纸 SINGLE ROTARY PAPER SUCTION

热风+超声波 HOT AIR + ULTRASONIC

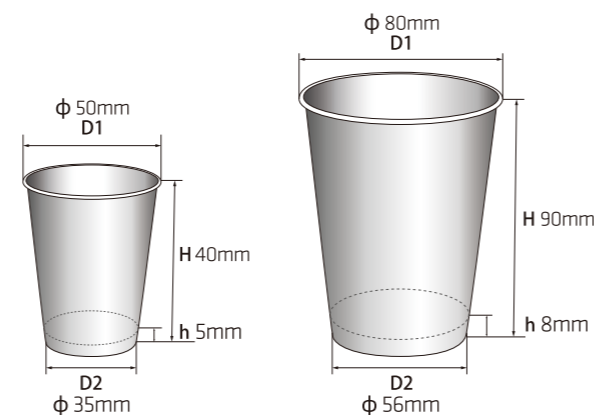
杯底三道热风 TRIPLE HOT AIR

伺服转盘部分 SERVO TURNTABLE SECTION

NEWTOP-FB100S servo paper cup machine is an efficient, intelligent and environmentally friendly paper cup forming machine. It adopts digital control mode and uses servo motor to control the paper cup forming process with high precision to achieve fast, accurate and stable paper cup forming effect. The control part integrates various techniques such as Ethernet real-time control technology, distributed clock mechanism, electronic cam technology and common DC bus to control efficient-lystably and precisely. This machine is good for making 2.5-10oz paper cups, and the production speed can reach up to 158pcs/min.

NEWTOP-FB100S型伺服纸杯机是一种高效、智能、环保的纸杯成型机器，采用数字化控制模式，通过伺服电机对纸杯成型过程进行高精度控制，以实现快速、准确、稳定的纸杯成型控制部分采用多种技术，包括以太网实时控制技术，分散式时钟机制，电子凸轮技术和共直流母线方案等，旨在实现高效、稳定、精准的控制。该机型适用于2.5oz-10oz的纸杯生产，生产速度最高可达158pcs/min。

型号	Model	NEWTOP-FB100S
重量	Weight	2400kg
机器装箱规格	Machine encasement dimension	2200x1500x2000mm
计杯架装箱规格	Cup counting holder packing specifcation	1230x610x1900mm
额定功率	Rated power	Three-phase 380V, 22KW
压缩空气	Compressed air	0.5-0.7MPa, 0.3m ³ /min
最大产能	Max Capacity	158pcs/min
纸杯材料	Paper materials	Single PE
纸张厚度	Paper thickness	0.22-0.35mm
纸杯规格	Product range	(D1)φ 50-80mm (H)40-90mm (D2)φ 35-56mm (h)5-8mm



新德宝智能纸杯机,工作原来如此简单!
db@debaochina.com

MAX
158
PCS/MIN

NEWTOP-FB100S



XINJE 亞德客 AIRTAC NSK Schneider Electric Panasonic

伺服纸杯机系列
SERVO PAPER CUP MACHINE SERIES

品质保证
WARRANTY



- DEBAO-100S经过十多年的市场应用优化、迭代，其性能表现的质量及速度始终如一，稳定持久耐用，赢得了广大客户的信赖，树立了新德宝的品牌。新德宝技术团队总结过去，面向未来，在FB100S设计传承过去的稳定持久耐用结构及部件工艺，设计升级重点部位，加以伺服电机及运控系统，其优点：
- ①更稳定、高效，更节能
 - ②更智能、数字化，操作更简单，系统导图指引，自学习图标调节机器的参数
 - ③体积小，为小杯、薄纸市场通用纸杯而专机设计
 - ④4小时快速换模

*实际生产速度受产品尺寸、结构复杂度、原料特性及工艺要求影响，以最终方案推荐速度为准。
Actual production speed varies with product size, structure, material and process, and shall be subject to the final recommended speed.

NEWTOP-168S9

HIGH SPEED INTELLIGENT PAPER CUP MACHINE

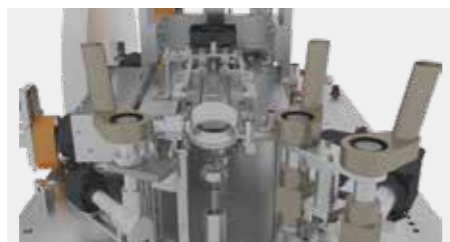
高速智能纸杯机



扫码观看168S9机器视频



滚花伺服电机
SERVO MOTOR FOR KNURLING



杯底三热风
TRIPLE HOT AIR



九工位母模+三工位卷口
NINE-STATION FEMALE MOLD+TRIPLE CURLING STATIONS

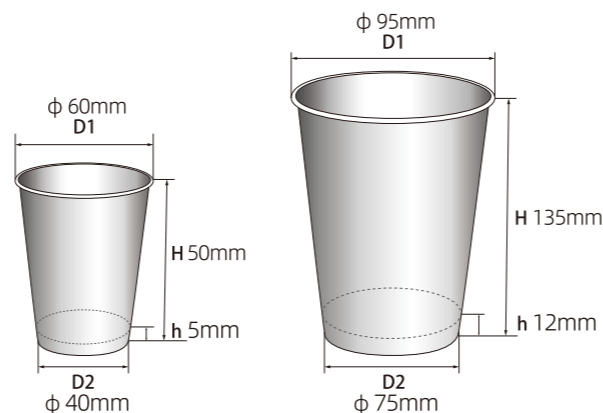


双工位四热风
DUAL STATION FOUR HOT AIR

NEWTOP-168S9 high-speed intelligent paper cup machine, the main machine is the upgraded model of NEWTOP-138S, which cleverly separates the transmission and actuator. The design of transmission adopts "one horizontal and two vertical" dynamic axis layout, while the actuator adopts in-line suction feeding and cup forming technology, combined with the double turntable layout of 10-station male mold and 9-station female mold, realizing multi-station (≥ 3) for crimping, which makes the paper containers with stable forming dimensions, high crimping rate, and strong adaptability of paper. The model has flexible configuration and various options to meet different needs of customers: optional visual inspection system is available to reject defective products. The machine is suitable for the production of 5-16oz high grams, high-end brand cold/hot paper cups, such as Luckin Coffee, MIXUE, CHAGEE and other brands of coffee cups, milk tea cups.

NEWTOP-168S9型高速智能纸杯机，其主机是NEWTOP-138S机型升级款，巧妙地将传动与执行机构分开。传动机构的设计采用了“一横二纵”的动轴布局，而执行机构则采用了直列式的吸送纸与杯筒成型技术，结合10工位公模与9工位母模的双转盘布局，实现了卷边多工位 (≥ 3)，让纸容器成型尺寸稳定，卷曲率高，纸张适应性强。该机型配置灵活，选择多样，可满足客户的不同需求：可选配视觉检测系统以剔除不良品。适合生产5-16oz的高克重、高端品牌冷/热纸杯，如瑞幸、蜜雪冰城、霸王茶姬等品牌咖啡杯、奶茶杯。

型号	Model	NEWTOP-168S9
重量	Weight	3600kg
机器装箱规格	Machine encasement dimension	3100x1600x2100mm
计杯架装箱规格	Cup counting holder packing specification	1230x610x1900mm
额定功率	Rated power	Three-phase 380V, 38KW
压缩空气	Compressed air	0.6-0.8MPa, 0.5m ³ /min
最大产能	Max Capacity	168pcs/min
纸杯材料	Paper materials	Single PE/Double PE/PLA
纸张厚度	Paper thickness	0.295-0.445mm
纸杯规格	Product range	(D1) ϕ 60-95mm (H)50-135mm (D2) ϕ 40-75mm (h)5-12mm



新德宝智能纸杯机,工作原来如此简单!
db@debaochina.com

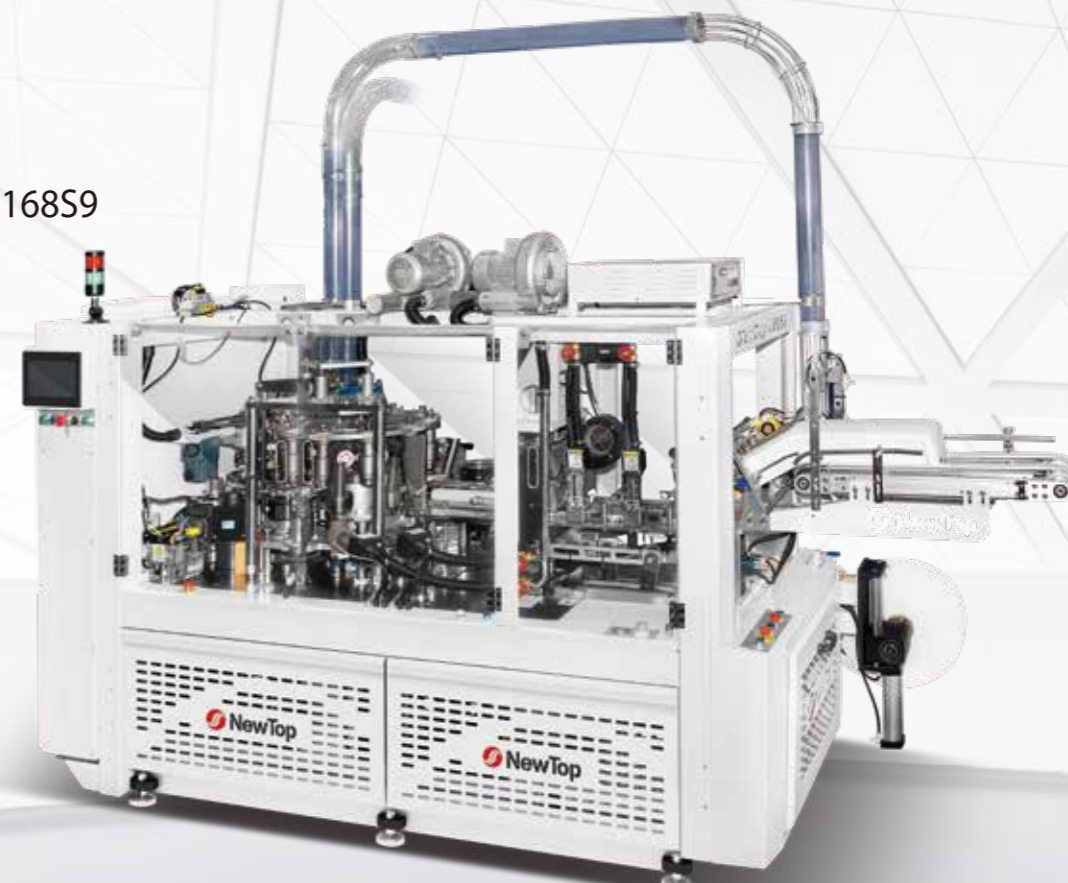
MAX
168
PCS/MIN

NEWTOP-168S9

纸杯机系列
PAPER CUP MACHINE SERIES



品质保证
WARRANTY



适合生产5-16oz的高克重、高端品牌冷/热纸杯，如瑞幸、蜜雪冰城、霸王茶姬等品牌咖啡杯、奶茶杯。















2025年6月NEWTOP-168S9全新机型上市，是新德宝在智能制造和多样化客户需求方面的重要突破与延伸。NEWTOP-168S9延续新德宝一贯的高品质、高性能、高可靠性，并在配置上提供高度灵活性，支持多种外框、多样化控制系统、侧边热风配置以及滚花控制等组合方案，全面满足客户定制化需求。为客户量身打造更契合的解决方案，真正实现“一机多配、精准匹配”的智能制造理念，其选型包括：

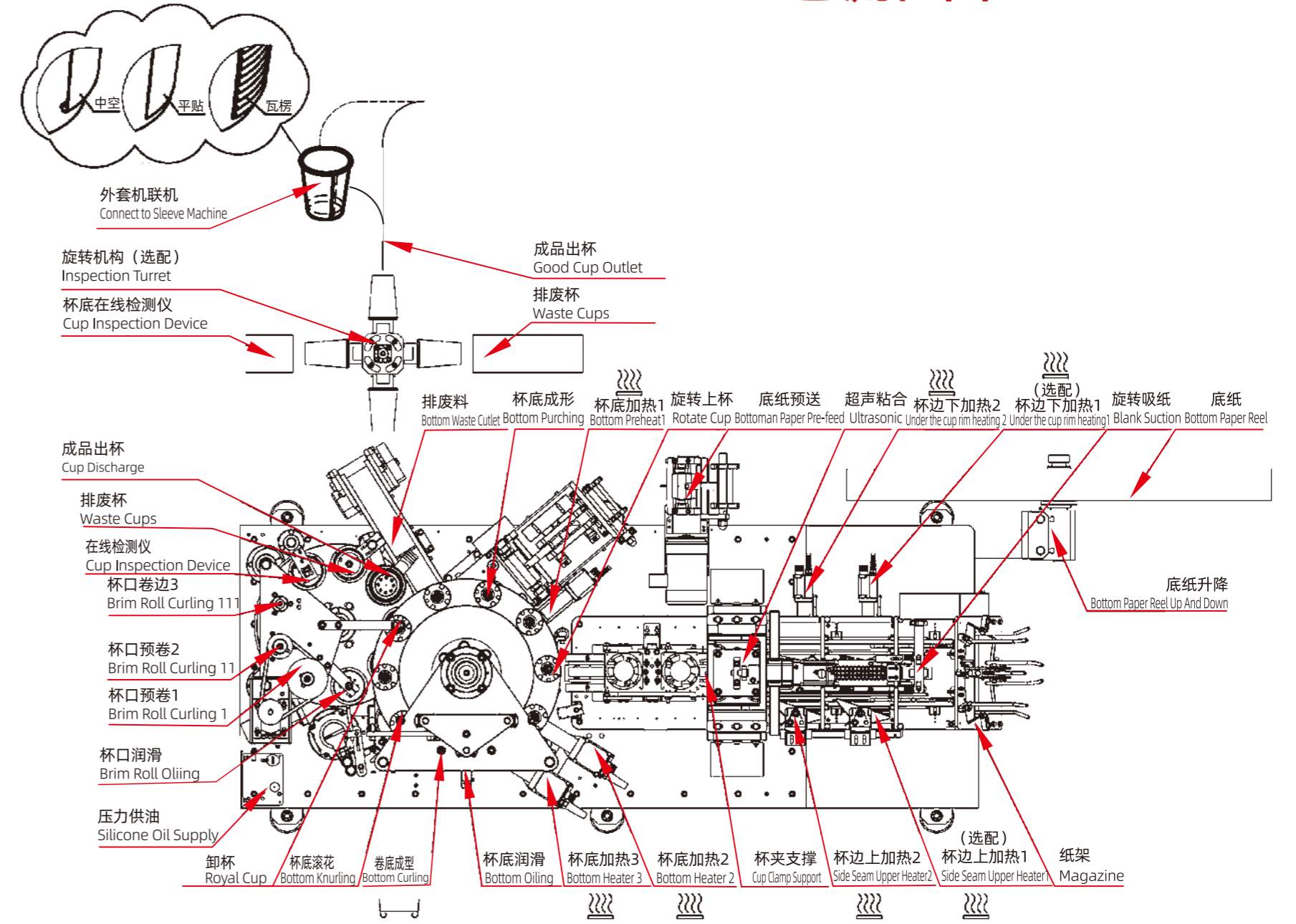
- ①弧型门、平开门、展翼门三种外框，用户可根据实际生产需求及场地限制，灵活选择合适的外框类型，以满足效率和安全性双重需求。
- ②可选配耐德运控系统 (MOTION CONTROL)，令整机运行更加稳定、节能；也可选配汇川运动控制 (MOTION CONTROL)，该系统具备高速、高精、多轴控制等优点；标配耐德可编程逻辑控制器 (PLC)，扩展性灵活。
- ③可选配伺服电机滚花，比普通电机滚花多2卷效果，使底部粘合更加牢固。
- ④可选配超级滚花总成结构，是普通滚花轮更换轴承寿命的十倍，压力输出更加稳定。
- ⑤可选配双工位四道热风系统，采用渐进式加温技术，使得热传递更加柔和，使中缝粘合效果更佳。
- ⑥三道卷边，使卷边R达到450度以上。
- ⑦自动喷雾功能，使卷边更圆润。

*实际生产速度受产品尺寸、结构复杂度、原料特性及工艺要求影响，以最终方案推荐速度为准。
Actual production speed varies with product size, structure, material and process, and shall be subject to the final recommended speed.

NEWTOP-168S9定制选择方案

序号	配置	图例		
01	外框 FRAME			
		平开门	展翼门	圆弧门
02	系统 SYSTEM			
		施耐德运控系统 (MOTION CONTROL)	汇川运控系统 (MOTION CONTROL)	施耐德PLC
03	侧边热风 LATERAL HOT AIR OUTLET			
		双工位四道热风	单工位两道热风	
04	滚花控制电机 MOTOR FOR KNURLING OPERATION			
		伺服电机滚花控制	普通电机滚花控制	
05	超声波驱动 ULTRASONIC DRIVE			
		伺服驱动	机械凸轮	

NEWTOP-168S9工艺流程图



NEWTOP INTELLIGENT PAPER CUP MACHINE

NEWTOP-118S+SY

HIGH SPEED INTELLIGENT PAPER CUP MACHINE

高速智能纸杯机

www.debaochina.com



扫码观看118S+SY机器视频



冲底部分 BOTTOM PUNCHING & DRAWING

双工位卷口部分 DOUBLE CURLING STATION

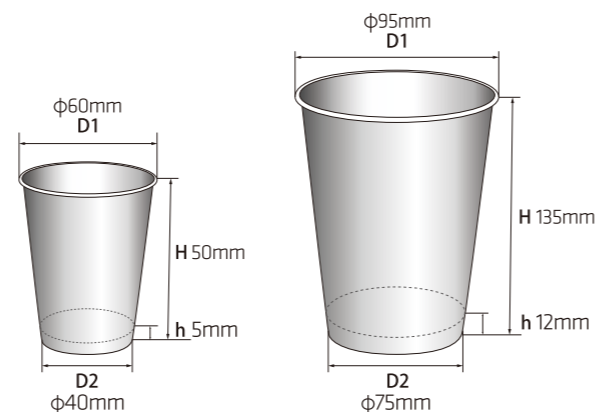
机械传动部分 MECHANICAL TRANSMISSION

超声波部位 ULTRASONIC PART

The NEWTOP-118S+SY high speed intelligent paper cup machine is using tabletop layout, which isolates the forming parts and transmission parts. All transmission parts are installed in the main frame under the table, using longitudinal shaft, barrel indexing cam and gear transmission, lubricated by oil bath. The forming parts are installed on the table, easy to access for cleaning and maintenance. Machine is controlled by PLC, the whole process is monitored by photoelectric sensors, feeding by servo. Visual inspection system is an option to get rid of disqualified cups. This machine is good for making 5-16oz cold/hot cups.

NEWTOP-118S+SY型高速智能纸杯机采用台式布局，将成型部分与传动部分隔开。传动部分安装在台面下的机架内，采用纵轴传动结构，圆柱分度凸轮和齿轮传动。所有传动部件采用淋浴式润滑。成型模具安装在台面上，便于清理维护。全机由PLC控制，全程由光电跟踪监控，底纸采用伺服送料。可选配视觉检测系统以剔除不良品。适合生产5-16oz的冷/热饮杯。

型号	Model	NEWTOP-118S+SY
重量	Weight	3100kg
机器装箱规格	Machine encasement dimension	2900 x 1600 x 2250mm
计杯架装箱规格	Cup counting holder packing specification	1230 x 610 x 1900mm
额定功率	Rated power	Three-phase, 380V, 26KW
压缩空气	Compressed air	0.6-0.8MPa, 0.5 m ³ /min
最大产能	Max Capacity	150pcs/min
纸杯材料	Paper materials	Single PE / double PE / PLA
纸张厚度	Paper thickness	0.295-0.445mm
纸杯规格	Product range	(D1)φ60-95mm (H)50-135mm (D2)φ40-75mm (h)5-12mm



新德宝智能纸杯机,工作原来如此简单!
db@debaochina.com

MAX
150
PCS/MIN



NEWTOP-118S+SY

纸杯机系列

PAPER CUP MACHINE SERIES



品质保证
WARRANTY



*实际生产速度受产品尺寸、结构复杂度、原料特性及工艺要求影响，以最终方案推荐速度为准。
Actual production speed varies with product size, structure, material and process, and shall be subject to the final recommended speed.

NEWTOP-118C

HIGH SPEED INTELLIGENT PAPER CUP MACHINE

高速智能纸杯机



机械传动部分 MECHANICAL TRANSMISSION

冲底部分 BOTTOM PUNCHING & DRAWING

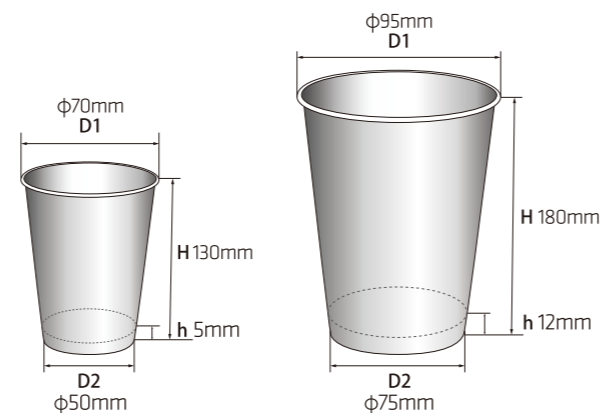
双工位卷口部分 DOUBLE CURLING STATION

视觉检测部分 VISUAL INSPECTION

The NEWTOP-118C high speed intelligent paper cup machine is using tabletop layout, which isolates the forming parts and transmission parts. All transmission parts are installed in the main frame under the table, using longitudinal shaft, barrel indexing cam and gear transmission. The forming parts are installed on the table, easy to access for cleaning and maintenance. Machine is controlled by PLC, the whole process is monitored by photoelectric sensors, feeding by servo. Visual inspection system is an option to get rid of disqualified cups.

NEWTOP-118C型高速智能纸杯机采用台式布局，将成型部分和传动部分隔开。传动部分安装在台面下的机架内，采用纵轴传动结构，圆柱分度凸轮和齿轮传动，所有传动部件采用淋浴式润滑。成型模具都安装在台面上，便于清理维护。全机由用PLC控制，全程光电跟踪监控，底纸采用伺服供料。可选配视觉检测系统以剔除不良品。

型号	Model	NEWTOP-118C
重量	Weight	3500kg
机器装箱规格	Machine encasement dimension	3100 x 1600 x 2250mm
计杯架装箱规格	Cup counting holder packing specification	1230 x 610 x 1900mm
额定功率	Rated power	Three-phase, 380V, 26KW
压缩空气	Compressed air	0.6-0.8MPa, 0.5 m ³ /min
最大产能	Max Capacity	120pcs/min
纸杯材料	Paper materials	Single PE / double PE / PLA
纸张厚度	Paper thickness	0.345-0.445mm
纸杯规格	Product range	(D1)φ70-95mm (H)130-180mm (D2)φ50-75mm (h)5-12mm



扫码观看118C机器视频

MAX
120
PCS/MIN



NEWTOP-118C



品质保证
WARRANTY



*实际生产速度受产品尺寸、结构复杂度、原料特性及工艺要求影响，以最终方案推荐速度为准。
Actual production speed varies with product size, structure, material and process, and shall be subject to the final recommended speed.

NEWTOP-168C

HIGH SPEED INTELLIGENT PAPER CUP MACHINE

高速智能纸杯机



扫码观看168C机器视频



滚花伺服电机
SERVO MOTOR FOR KNURLING



杯底三热风
TRIPLE HOT AIR



九工位母模+三工位卷口
NINE-STATION FEMALE MOLD+TRIPLE CURLING STATIONS

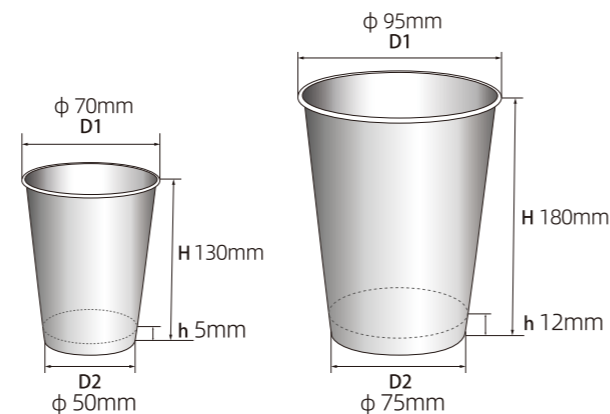


双工位四热风
DUAL STATION FOUR HOT AIR

The NEWTOP-168C high speed intelligent paper cup machine features a completely redesigned main unit based on the NEWTOP-168S9, utilizing a "transmission-execution" separation architecture and a "one horizontal, two vertical" motion axis layout. The execution mechanism employs rotary paper suction combined with a linear feeding mechanism, a servo-driven ultrasonic cup body forming mechanism, and a dual turntable layout with a 10-station cup bottom forming turntable and a 9-station cup mouth forming turntable, enabling multiple process steps from sheet material to finished product. The rimming process uses multiple stations (≥ 3) to ensure consistent cup mouth dimensions and perfect rimming, easily handling various high-grammage papers. This model offers flexible configuration options to meet diverse customer production needs: an optional vision inspection system is available for strict quality control. It is suitable for producing high-grammage, high-end brand cold/hot paper cups ranging from 16-22oz, such as coffee cups and milk tea cups for brands like Luckin Coffee, Mixue Ice Cream & Tea, and CHAGEE.

NEWTOP-168C高速智能纸杯机, 主机在NEWTOP-168S9基础上全面改型, 以“传动-执行”分离式架构与“一横二纵”动轴布局, 执行机构采用旋转吸纸配合直列式送料机构、伺服驱动超声波的杯筒成型机构、配合10工位杯底成型转盘和9工位杯口成型转盘的双转盘布局, 实现从片料到成型的多工艺过程。卷边采用多工位(≥ 3), 确保杯口成型尺寸恒定、卷线完美, 可轻松驾驭多种高克重纸张。该机型提供灵活的配置选项, 可满足客户多样化的生产需求: 可选配视觉检测系统, 严控品质。适合生产16-22oz的高克重、高端品牌冷/热纸杯, 如瑞幸、蜜雪冰城、霸王茶姬等品牌咖啡杯、奶茶杯。

型号	Model	NEWTOP-168C
重量	Weight	4000kg
机器装箱规格	Machine encasement dimension	3100x1600x2100(2250)mm
计杯架装箱规格	Cup counting holder packing specification	1230x610x1900mm
额定功率	Rated power	Three-phase 380V, 38KW
压缩空气	Compressed air	0.6-0.8MPa, 0.5m ³ /min
最大产能	Max Capacity	138pcs/min
纸杯材料	Paper materials	Single PE/Double PE/PLA
纸张厚度	Paper thickness	0.345-0.445mm
纸杯规格	Product range	(D1) ϕ 70-95mm (H)130-180mm (D2) ϕ 50-75mm (h)5-12mm



新德宝智能纸杯机,工作原来如此简单!
db@debaochina.com

MAX
138
PCS/MIN



NEWTOP-168C



适合生产16-22oz的高克重、高端品牌冷/热纸杯, 如瑞幸、蜜雪冰城、霸王茶姬等品牌咖啡杯、奶茶杯。



纸杯机系列
PAPER CUP MACHINE SERIES



品质保证
WARRANTY



2025年11月NEWTOP-168C全新机型上市,是新德宝在纸容器成型设备的智造与客户定制需求方面的重要突破与延伸。该机型秉承新德宝一贯的高品质、高性能与高可靠性基因,通过模块化架构设计,实现外框、控制系统、热风配置及滚花工艺的灵活组合,为不同场景客户提供“一机多配、精准匹配”的定制化解决方案,其选型包括:

- ①三种外框结构: 弧型门、平开门、展翼门三种外框, 用户可适配多样化生产空间,灵活选择合适的外框类型,实现高效与安全生产。
- ②电机类型: 可选配伺服电机滚花, 比普通电机滚花多2圈效果, 使底部粘合更加牢固。
- ③热风系统: 可选配双工位四道杯边热风系统, 采用渐进式加热技术,实现柔和均匀的热传导, 优化中缝粘合效果。
- ④滚花工艺: 根据杯子尺寸可适配超级滚花总成结构, 是普通滚花轮更换轴承寿命的十倍, 压力输出更加稳定。
- ⑤三重卷边技术: 三道卷边, 使卷边R达到450度以上。
- ⑥自动喷雾辅助: 自动喷雾功能, 使卷边更圆润。
- ⑦变频热风技术: 实现停机降温节能。

*实际生产速度受产品尺寸、结构复杂度、原料特性及工艺要求影响, 以最终方案推荐速度为准。
Actual production speed varies with product size, structure, material and process, and shall be subject to the final recommended speed.

NEWTOP INTELLIGENT PAPER CUP MACHINE

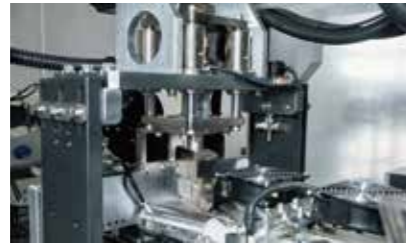
NEWTOP-FW125S

SERVO PAPER CUP MACHINE

伺服纸杯机



单旋转吸纸 SINGLE ROTARY PAPER SUCTION



热风+超声波 HOT AIR + ULTRASONIC



杯底三道热风 TRIPLE HOT AIR

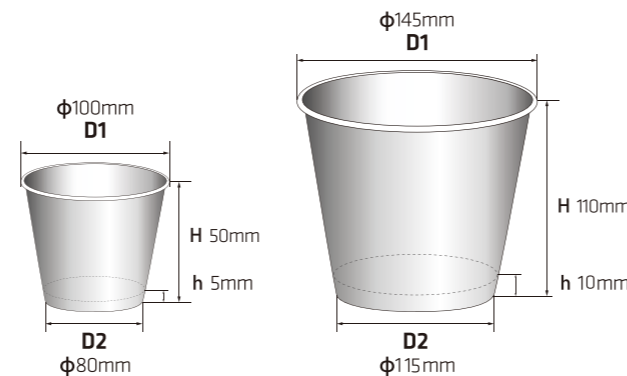


伺服转盘部分 SERVO TURNTABLE SECTION

NEWTOP-FW125S servo paper cup machine is an efficient, intelligent and environmentally friendly paper cup forming machine. It adopts digital control mode and uses servo motor to control the paper cup forming process with high precision to achieve fast, accurate and stable paper cup forming effect. The control part integrates various techniques such as Ethernet real-time control technology, distributed clock mechanism, electronic cam technology and common DC bus to control efficiently and stably and precisely. This machine is good for making 10-45oz paper cups, and the production speed can reach up to 128pcs/min.

NEWTOP-FW125S型伺服纸杯机是一种高效、智能、环保的纸杯成型机器，采用数字化控制模式，通过伺服电机对纸杯成型过程进行高精度控制，以实现快速、准确、稳定的纸杯成型控制部分采用多种技术，包括以太网实时控制技术，分散式时钟机制，电子凸轮技术和共直流母线方案等，旨在实现高效、稳定、精准的控制。该机型适用于10oz-45oz的纸杯生产，生产速度最高可达128pcs/min。

型号	Model	NEWTOP-FW125S
重量	Weight	3200kg
机器装箱规格	Machine encasement dimension	2300x1900x2100mm
计杯架装箱规格	Cup counting holder packing specification	1230x610x1900mm
额定功率	Rated power	Three-phase 380V, 37KW
压缩空气	Compressed air	0.6-0.8MPa, 0.5m ³ /min
最大产能	Max Capacity	128pcs/min
纸杯材料	Paper materials	Single PE/Double PE/PLA
纸张厚度	Paper thickness	0.2825-0.445mm
纸杯规格	Product range	(D1) ϕ 100-145mm (H)50-110mm (D2) ϕ 80-115mm (h)5-10mm



www.debaochina.com

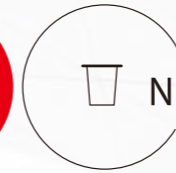


扫码观看 FW125S 机器视频

新德宝智能纸杯机,工作原来如此简单!

db@debaochina.com

MAX
128
PCS/MIN



NEWTOP-FW125S

伺服纸碗机系列

SERVO PAPER BOWL MACHINE SERIES



品质保证
WARRANTY



XINJE 新德宝 AIRTAC 亞德客 NSK Schneider Electric 施耐德 Panasonic

NEWTOP-1250S经过十多年的市场应用优化、迭代，其性能表现的质量及速度始终如一，稳定持久耐用，赢得了广大客户的信赖，树立了新德宝的品牌。

新德宝技术团队总结过去，面向未来，在NEWTOP-FW125S设计传承过去的稳定持久耐用结构及部件工艺，设计升级重点部位，加以伺服电机及运控系统，其优点：

- ①更稳定、高效，更节能、实惠
- ②更智能、数字化，操作更简单，系统导图指引，自学习图标调节机器的参数
- ③体积小，为薄纸市场通用纸碗而专机设计

*实际生产速度受产品尺寸、结构复杂度、原料特性及工艺要求影响，以最终方案推荐速度为准。
Actual production speed varies with product size, structure, material and process, and shall be subject to the final recommended speed.

NEWTOP INTELLIGENT PAPER CUP MACHINE

NEWTOP-FW125C

SERVO PAPER CUP MACHINE

伺服纸杯机



单旋转吸纸 SINGLE ROTARY PAPER SUCTION



热风+超声波 HOT AIR + ULTRASONIC



杯底三道热风 TRIPLE HOT AIR

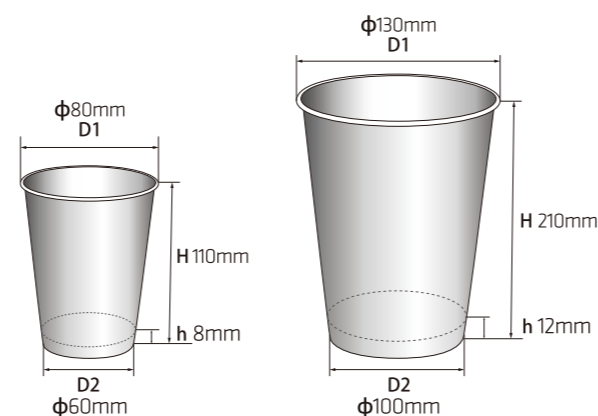


伺服转盘部分 SERVO TURNTABLE SECTION

NEWTOP-FW125C servo paper cup machine is a new generation of intelligent, high-speed paper cup forming equipment, adopting desktop layout, double-turntable forming process layout and servo-driven structure, and the motion control system adopts EtherCAT high-speed bus communication technology, decentralised clock mechanism, electronic cam technology, and a common DC bus scheme, etc., to achieve high-precision control of the paper cup forming process by servo motors, in order to achieve Fast, accurate and stable paper cup forming. This model is suitable for the production of paper cups from 16oz-42oz, and the production speed is up to 140pcs/min.

NEWTOP-FW125C型伺服纸杯机是新一代智能、高速纸杯成型装备，采用台式布局、双转盘成型工艺布局和伺服驱动结构，运动控制系统采用EtherCAT高速总线通讯技术，分散式时钟机制、电子凸轮技术和共直流母线方案等，实现伺服电机高精度控制纸杯成型过程，以实现快速、准确、稳定的纸杯成型。该机型适用于16oz-42oz的纸杯生产，生产速度最高可达140只/分钟。

型号	Model	NEWTOP-FW125C
重量	Weight	3400kg
机器装箱规格	Machine encasement dimension	2300x1900x2100mm
计杯架装箱规格	Cup counting holder packing specification	1230x610x1900mm
额定功率	Rated power	Three-phase 380V, 37KW
压缩空气	Compressed air	0.6-0.8MPa, 0.5m ³ /min
最大产能	Max Capacity	140pcs/min
纸杯材料	Paper materials	Single PE/Double PE/PLA
纸张厚度	Paper thickness	0.2825-0.5025mm
纸杯规格	Product range	(D1) ϕ 80-130mm (H)110-210mm (D2) ϕ 60-100mm (h)8-12mm



www.debaochina.com



扫码观看FW125C机器视频

日本尼得科行星齿轮



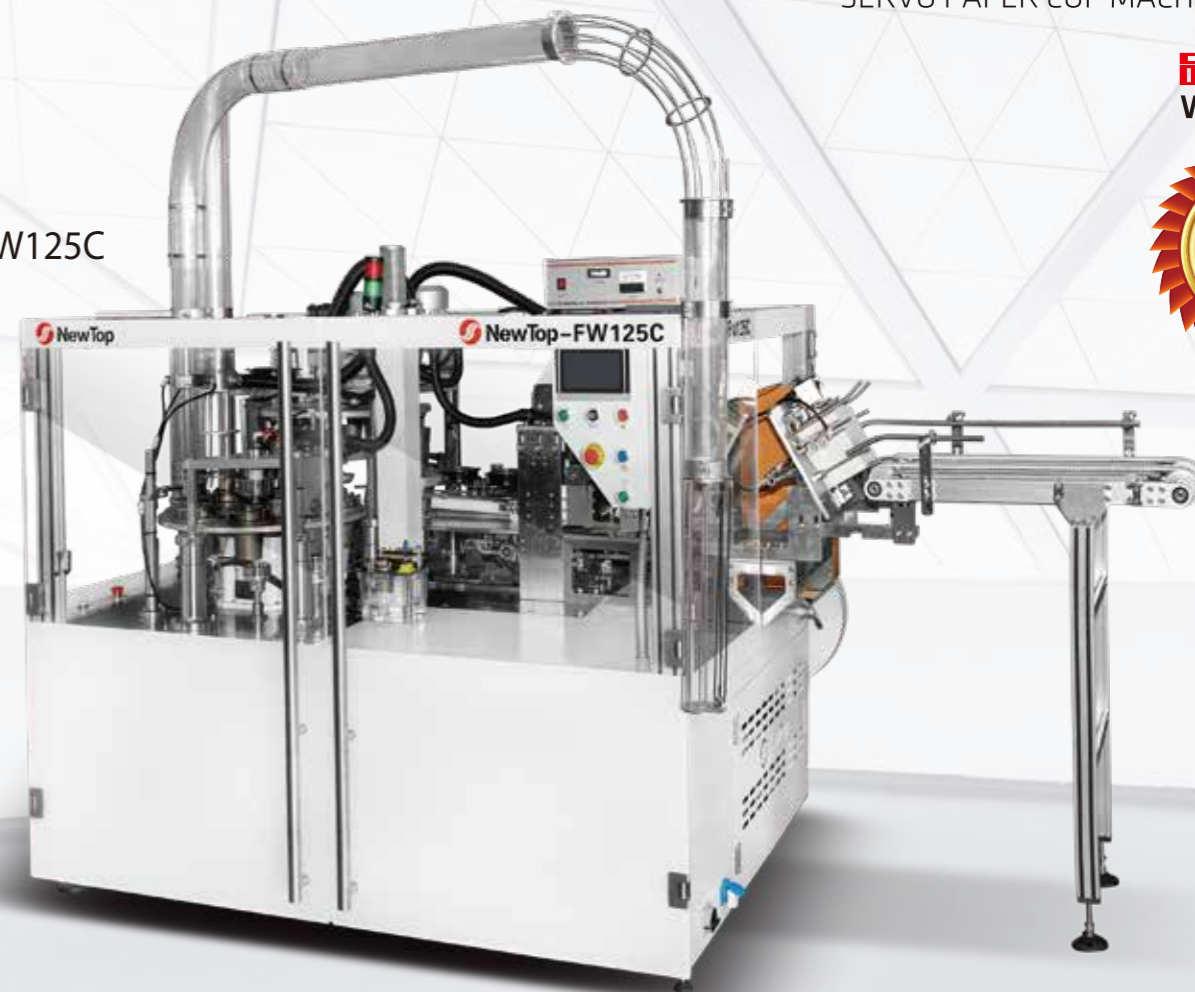
新德宝智能纸杯机,工作原来如此简单!

db@debaochina.com

MAX
140
PCS/MIN



NEWTOP-FW125C



伺服纸杯机系列
SERVO PAPER CUP MACHINE SERIES



品质保证
WARRANTY



Nidec XINJE IKO 亞德客 AIRTAC NSK Panasonic

NEWTOP-1250C经过十多年的市场应用优化、迭代，其性能表现的质量及速度始终如一，稳定持久耐用，赢得了广大客户的信赖，树立了新德宝的品牌。

新德宝技术团队总结过去，面向未来，在NEWTOP-FW125C设计传承过去的稳定持久耐用结构及部件工艺，设计升级重点部位，加以伺服电机及运控系统，其优点：

- ①更稳定、高效，更节能、实惠
- ②更智能、数字化，操作更简单，系统导图指引，自学习图标调节机器的参数
- ③NEWTOP-FW125C全新上市，覆盖16-42oz全尺寸范围，纸碗全能机型

*实际生产速度受产品尺寸、结构复杂度、原料特性及工艺要求影响，以最终方案推荐速度为准。
Actual production speed varies with product size, structure, material and process, and shall be subject to the final recommended speed.

NEWTOP-1250S

HIGH SPEED INTELLIGENT PAPER CUP MACHINE

高速智能纸杯机



底部加热 BOT TOM HEATING

双工位卷口部分 DOUBLE CURLING STATION

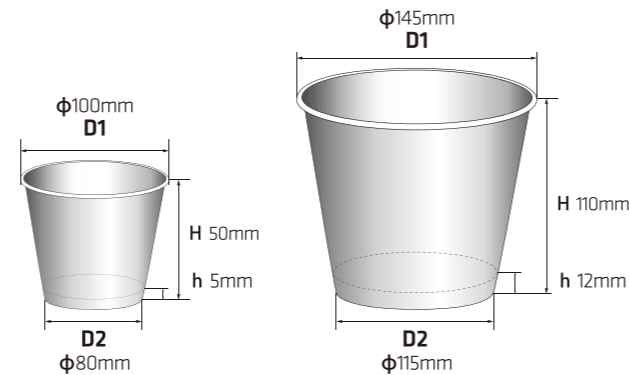
双分度凸轮 TWO INDEXING CAMS ASSEMBLY

超声波部位 ULTRASONIC PART

The NEWTOP-1250S high speed intelligent paper cup forming machine using tabletop layout, which isolates the forming parts and the transmission part. All transmission parts are installed in the main frame under the table, using longitudinal shaft, barrel indexing cam and gear transmission, lubricated by oil bath. The forming parts are installation on the table, easy to access for cleaning and maintenance. Machine is controlled by PLC, the whole process is monitored by photoelectric sensors, feeding by servo. Visual inspection system is an option to get rid of disqualified cups. This machine is good for making 12-45 oz cold / hot bowls.

NEWTOP-1250S型高速智能纸杯机采用台式布局，将成型部分和传动部分隔开。传动部分安装在台面下的机架内，采用纵轴传动结构，圆柱分度凸轮和齿轮传动。所有传动部件采用淋浴式润滑。成型模具安装在台面上，便于清理维护。全机由PLC控制，全程由光电跟踪，底纸采用伺服供料。可选配视觉检测系统以剔除不良品。适合生产12-45oz的冷/热纸碗。

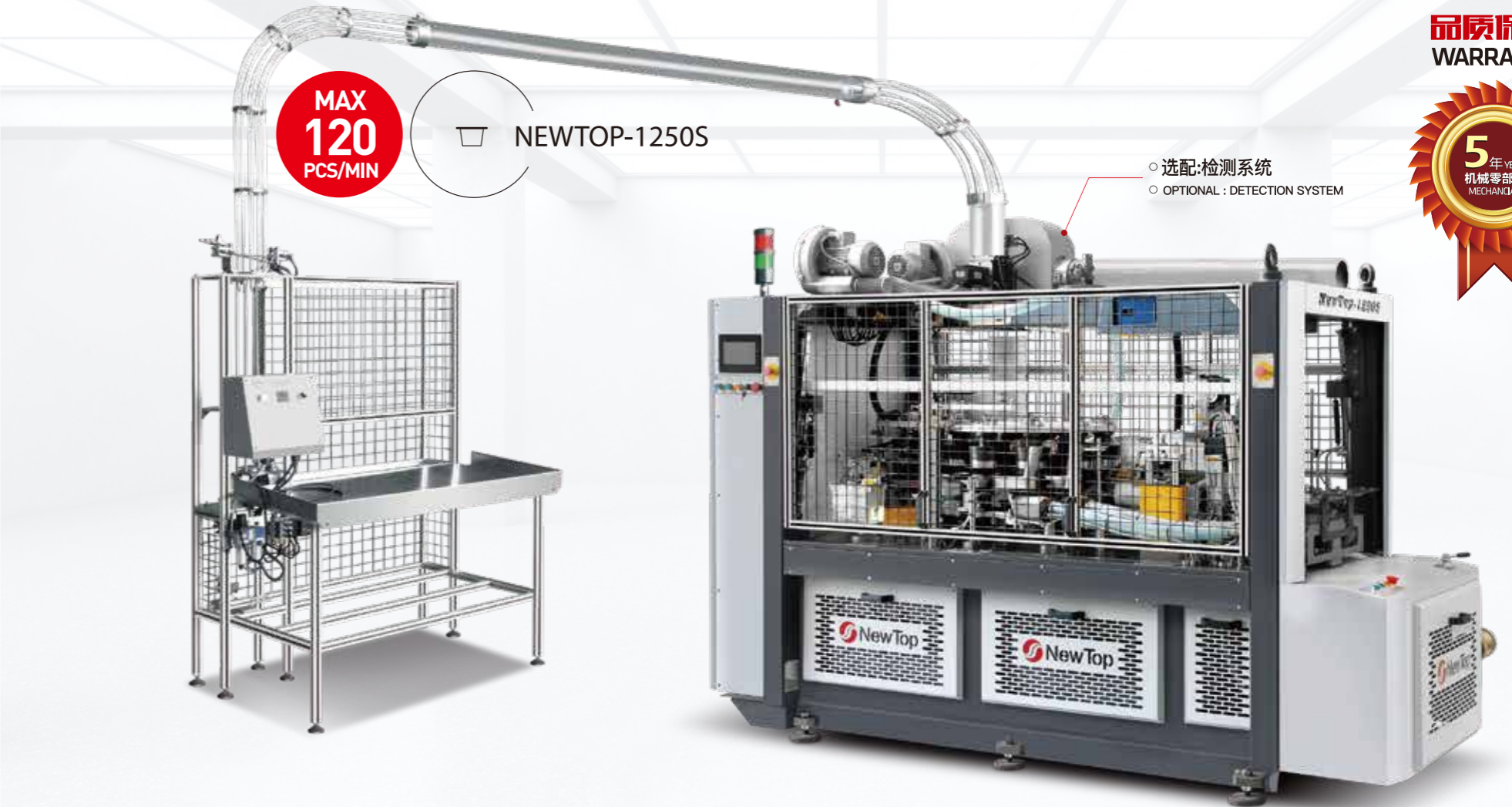
型号	Model	NEWTOP-1250S
重量	Weight	3400kg
机器装箱规格	Machine encasement dimension	3100 x 1600 x 2250mm
计杯架装箱规格	Cup counter encasement dimension	1230 x 720 x 1900mm
额定功率	Rated power	Three-phase , 380V, 31KW
压缩空气	Compressed air	0.6-0.8MPa, 0.6 m³/min
最大产能	Max Capacity	120pcs/min
纸碗材料	Paper materials	Single PE / double PE / PLA
纸张厚度	Paper thickness	0.2825-0.445mm
纸杯规格	Product range	(D1) ϕ 100-145mm (H)50-110mm (D2) ϕ 80-115mm (h)5-12mm



扫码观看1250S机器视频



品质保证
WARRANTY



*实际生产速度受产品尺寸、结构复杂度、原料特性及工艺要求影响，以最终方案推荐速度为准。
Actual production speed varies with product size, structure, material and process, and shall be subject to the final recommended speed.

NEWTOP INTELLIGENT PAPER CUP MACHINE

NEWTOP-5000S

HIGH SPEED INTELLIGENT PAPER CUP MACHINE

高速智能纸杯机

www.debaochina.com



扫码观看5000S机器视频



双分度凸轮 DOUBLE INDEXING CAM ASSEMBLY

双工位卷口部分 DOUBLE CURLING STATION

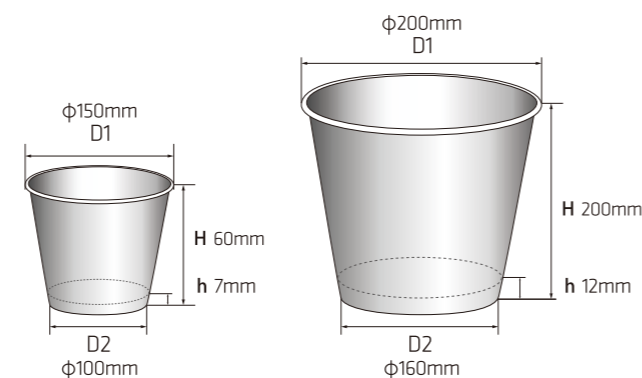
底部加热 BOTTOM HEATING

脱模转移 DEMOULDING TRANSFER MECHANISM

NEWTOP-5000S high speed intelligent large paper cup machine is using tabletop layout, which isolates the forming parts and the transmission parts. All transmission parts are installed in the main frame under the table, using longitudinal shaft, barrel indexing cam and gear transmission, lubricated by oil bath. The forming parts are installed on the table, easy to access for cleaning and maintenance. Machine is controlled by PLC, the whole process is monitored by photoelectric sensors, feeding by servo. This machine is good for making large paper containers for multi-purposes.

NEWTOP-5000S型高速智能超大型纸杯机采用台式布局，将成型模具与传动部分隔开。传动部分安装在台面下的机架内，采用纵轴结构，圆柱分度凸轮和齿轮传动。所用传动部件采用淋浴式润滑。成型模具都安装在台面上，便于清理维护。全机由PLC控制，全程光电跟踪监控，底纸采用伺服供料。该机器生产的超大型纸容器用途广泛。

型号	Model	NEWTOP-5000S
重量	Weight	4500kg
机器装箱规格	Machine encasement dimension	3500 x 1800 x 2250mm
计杯架装箱规格	Cup counting holder packing specification	1230 x 720 x 1900mm
额定功率	Rated power	Three-phase, 380V, 35KW
压缩空气	Compressed air	0.6-0.8MPa, 0.6 m ³ /min
最大产能	Max Capacity	80pcs/min
纸杯材料	Paper materials	Single PE / double PE / PLA
纸张厚度	Paper thickness	0.3825-0.5325mm
纸杯规格	Product range	(D1)φ150-200mm (H)60-200mm (D2)φ100-160mm (h)7-12mm



新德宝智能纸杯机,工作原来如此简单!
db@debaochina.com

MAX
80
PCS/MIN

NEWTOP-5000S



纸碗机系列
PAPER BOWL MACHINE SERIES



品质保证
WARRANTY



Schneider Electric INOVANCE 亞德客 AIRTAC Panasonic

*实际生产速度受产品尺寸、结构复杂度、原料特性及工艺要求影响，以最终方案推荐速度为准。
Actual production speed varies with product size, structure, material and process, and shall be subject to the final recommended speed.

NEWTOP-1250D

HIGH SPEED INTELLIGENT PAPER CUP MACHINE

高速智能纸杯机



扫码观看1250D机器视频



双工位卷口部分 DOUBLE CURLING STATION

冲底部分 BOTTOM PUNCHING & DRAWING

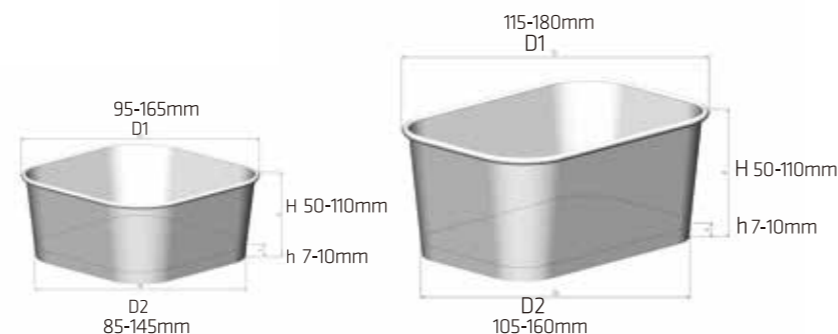
机械传动部分 MECHANICAL TRANSMISSION

超声波部位 ULTRASONIC PART

The NEWTOP-1250D high speed intelligent paper cup machine is using tabletop layout, which isolates the forming parts and transmission parts. All transmission parts are installed in the main frame under the table, using longitudinal shaft, barrel indexing cam and gear transmission. The forming parts are installed on the table, easy to access for cleaning and maintenance. Machine is controlled by PLC, the whole process is monitored by photoelectric sensors, feeding by servo. The NEWTOP-1250D is good for making non-round type cold/hot bowls. Rectangle ones have eight standard sizes can be chosen from.

NEWTOP-1250D型高速智能纸杯机采用台式布局，将成型部分和传动部分隔开。传动部分安装在台面下的机架内，采用纵轴传动结构，圆柱分度凸轮和齿轮传动，所有传动部件采用淋浴式润滑。成型模具都安装在台面上，便于清理维护。全机由PLC控制，全程光电跟踪监控，底纸采用伺服送料。本机适合生产异形冷/热纸碗，其中矩形纸碗产品有八个标准尺寸可供选择。

型号	Model	NEWTOP-1250D
重量	Weight	3400kg
机器装箱规格	Machine encasement dimension	3100 x 1650 x 2250mm
计杯架装箱规格	Cup counting holder packing specification	1230 x 720 x 1900mm
额定功率	Rated power	Three-phase, 380V, 31KW
压缩空气	Compressed air	0.6-0.8MPa, 0.6 m ³ /min
最大产能	Max Capacity	70pcs/min
纸杯材料	Paper materials	Single PE / double PE / PLA
纸张厚度	Paper thickness	0.38-0.5mm
纸杯规格	Product range(square 正方形)	(D1) 95-165mm (H)50-110mm (D2) 85-145mm (h)7-10mm
	Product range(rectangle 矩形)	(D1) 115-180mm (H)50-110mm (D2) 105-160mm (h)7-10mm



新德宝智能纸杯机,工作原来如此简单!
db@debaochina.com

MAX
70
PCS/MIN

NEWTOP-1250D



异型机系列
NON-ROUND CONTAINER MACHINE SERIES

品质保证
WARRANTY



Schneider Electric INOVANCE 亞德客 AIRTAC Panasonic

*实际生产速度受产品尺寸、结构复杂度、原料特性及工艺要求影响，以最终方案推荐速度为准。
Actual production speed varies with product size, structure, material and process, and shall be subject to the final recommended speed.

NEWTOP INTELLIGENT PAPER CUP MACHINE

NEWTOP-5000D

HIGH SPEED INTELLIGENT PAPER CUP MACHINE

高速智能纸杯机

www.debaochina.com



扫码观看5000D机器视频



双工位卷口部分 DOUBLE CURLING STATION

冲底部分 BOTTOM PUNCHING & DRAWING

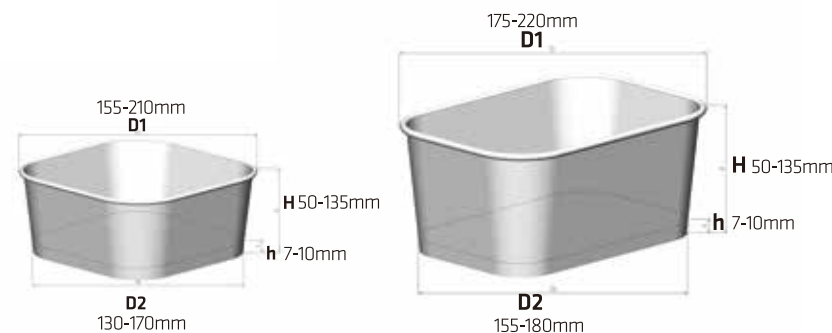
机械传动部分 MECHANICAL TRANSMISSION

超声波部位 ULTRASONIC PART

NEWTOP-5000D high speed intelligent large paper cup machine is using tabletop layout, which isolates the forming parts and the transmission parts. All transmission parts are installed in the main frame under the table, using longitudinal shaft, barrel indexing cam and gear transmission, lubricated by oil bath. The forming parts are installed on the table, easy to access for cleaning and maintenance. Machine is controlled by PLC, the whole process is monitored by photoelectric sensors, feeding by servo. This machine is good for making large paper containers for multi-purposes.

NEWTOP-5000D型高速智能超大型纸杯机采用台式布局，将成型模具与传动部分隔开。传动部分安装在台面下的机架内，采用纵轴结构，圆柱分度凸轮和齿轮传动。所用传动部件采用淋浴式润滑。成型模具都安装在台面上，便于清理维护。全机由PLC控制，全程光电跟踪监控，底纸采用伺服供料。该机器生产的超大型纸容器用途广泛。

型号	Model	NEWTOP-5000D
重量	Weight	4600kg
机器装箱规格	Machine encasement dimension	3500 x 1800 x 2250mm
计杯架装箱规格	Cup counting holder packing specification	1230 x 720 x 1900mm
额定功率	Rated power	Three-phase, 380V, 35KW
压缩空气	Compressed air	0.6-0.8MPa, 0.6 m ³ /min
最大产能	Max Capacity	60pcs/min
纸杯材料	Paper materials	Single PE / double PE / PLA
纸张厚度	Paper thickness	0.38-0.5mm
纸杯规格	Product range(square 正方形)	(D1) 155-210mm (H)50-135mm (D2) 130-170mm (h)7-10mm
	Product range(rectangle 矩形)	(D1) 175-220mm (H)50-135mm (D2) 155-180mm (h)7-10mm



新德宝智能纸杯机,工作原来如此简单!

db@debaochina.com

MAX
60
PCS/MIN



NEWTOP-5000D



异型机系列

NON-ROUND CONTAINER MACHINE SERIES

品质保证
WARRANTY



*实际生产速度受产品尺寸、结构复杂度、原料特性及工艺要求影响，以最终方案推荐速度为准。
Actual production speed varies with product size, structure, material and process, and shall be subject to the final recommended speed.

Schneider Electric INOVANCE 亞德客 AIRTAC Panasonic

NEWTOP-FW125WT

SERVO PAPER CUP MACHINE

伺服纸杯机



单旋转吸纸 SINGLE ROTARY PAPER SUCTION



超声波 ULTRASONIC



伺服转盘部分 SERVO TURNTABLE SECTION

日本尼得科行星齿轮



在线胶水检测 ONLINE GLUE INSPECTION

www.debaochina.com



扫码观看FW125WT机器视频

FW125WT



中空 Hollow

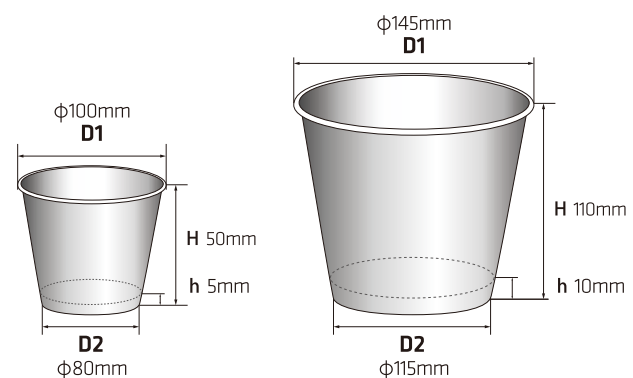
平贴 Appressed

双层瓦楞 Corrugated

NEWTOP-FW125WT is a professional model for the production of paper cup sleeve, setting up an innovative benchmark for intelligent and precise control and efficient production. As a new generation of intelligent equipment based on NEWTOP-FW125S platform, FW125WT adopts innovative desktop double turntable process layout, equipped with international leading ETHERCAT high-speed bus communication technology, through decentralized clocking mechanism and electronic cam synergistic control, with a common DC bus scheme to achieve energy efficient operation of the servo system. High frame rate industrial camera real-time monitoring of the glue coverage area, the use of image algorithms to quantitatively analyse the distribution of the glue layer, when the continuous detection of insufficient glue overflow immediately triggered audible and visual alarms to eliminate gluing defects, compared with the manual inspection efficiency increased by 5 times, the equipment to control the coat molding, gluing, laminating the whole process with high precision movement, perfectly adapted to the production of 32-44oz instant noodle bowls and paper bowls with jackets, compatible with the flat sticker / hollow / corrugated and other processes, compared with the flat stickers / corrugated and other processes. Compatible with flat/hollow/corrugated and other processes, 40% higher efficiency than traditional models, with a maximum capacity of 150PCS/MIN.

NEWTOP-FW125WT伺服纸杯机是一款专业用于生产纸杯外套的机型，树立智能精控高效生产的革新标杆。作为基于NEWTOP-FW125S平台研发的新一代智能化装备，FW125WT采用创新台式双转盘工艺布局，搭载国际领先的ETHERCAT高速总线通讯技术，通过分散式时钟机制与电子凸轮协同控制，配合共直流母线方案实现伺服系统高效节能运行。AI视觉胶水检测系统，通过高帧率工业相机实时监测胶水覆盖面积，运用图像算法量化分析胶层分布，当连续检测到胶量不足溢胶时即刻触发声光报警，杜绝胶合不良品，较人工检测效率提升5倍，设备以高运动精度掌控外套成型、上胶、套合全流程，完美适配32-44oz方便碗及带外套纸碗生产，兼容平贴/中空/瓦楞等多工艺，较传统机型提升40%效率，最高产能达150只/分钟。

型号	Model	NEWTOP-FW125WT
重量	Weight	3100kg
装箱规格	Machine encasement dimension	2300 x 1900 x 2100mm
额定功率	Rated power	Three-phase, 380V, 18KW
压缩空气	Compressed air	0.6-0.8MPa, 0.5 m ³ /min
最大产能	Max Capacity	中空/平贴: 150pcs/min 双层瓦楞: 128pcs/min
纸杯材料	Paper materials	灰底白板、白卡、口杯 Grey bottomed whiteboard, white card, cup
纸张厚度	Paper thickness	0.2825-0.4075mm
纸杯规格	Product range	(D1) φ 100-145mm (H)50-110mm (D2) φ 80-115mm (h)5-10mm

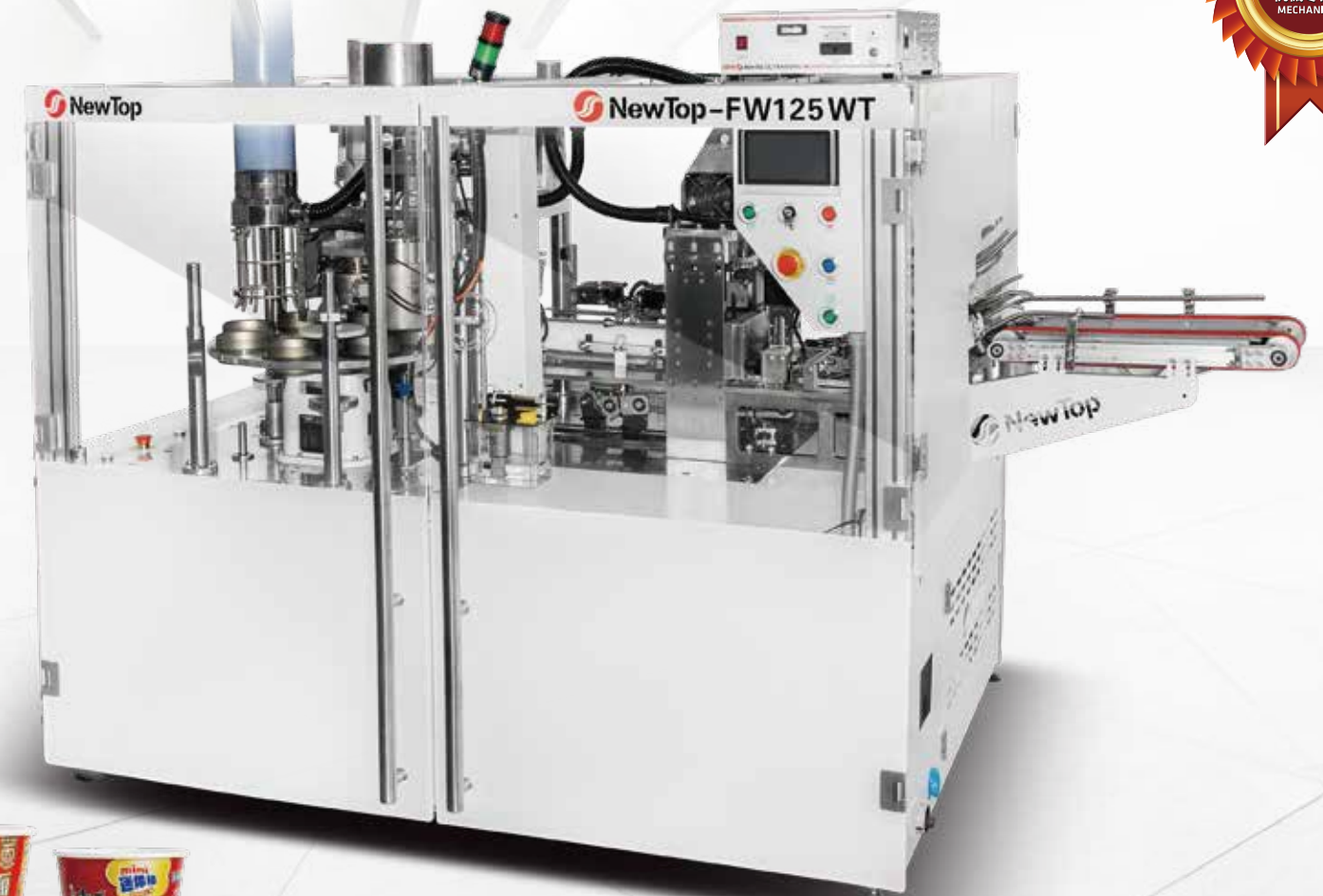


新德宝智能纸杯机,工作原来如此简单!
db@debaochina.com

MAX
150
PCS/MIN



NEWTOP-FW125WT



外贴机系列
PAPER CUP SLEEVE MACHINE SERIES



品质保证
WARRANTY



*实际生产速度受产品尺寸、结构复杂度、原料特性及工艺要求影响，以最终方案推荐速度为准。
Actual production speed varies with product size, structure, material and process, and shall be subject to the final recommended speed.



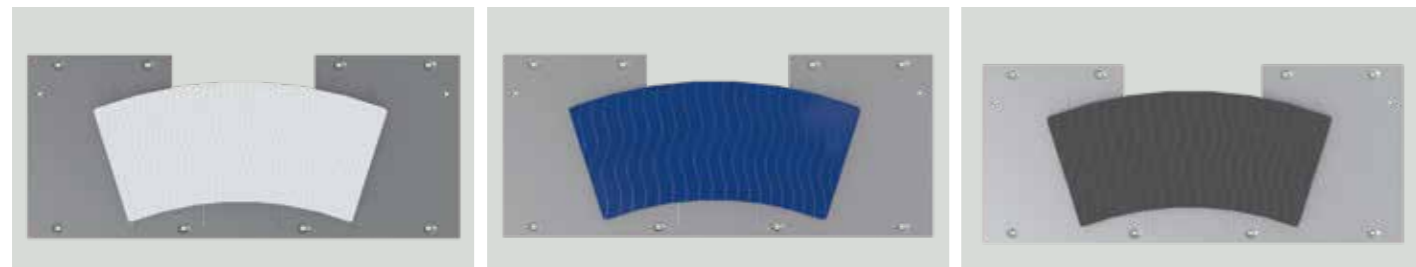
NEWTOP-138WT

HIGH SPEED INTELLIGENT PAPER CUP SLEEVE MACHINE

高速智能纸杯外套机



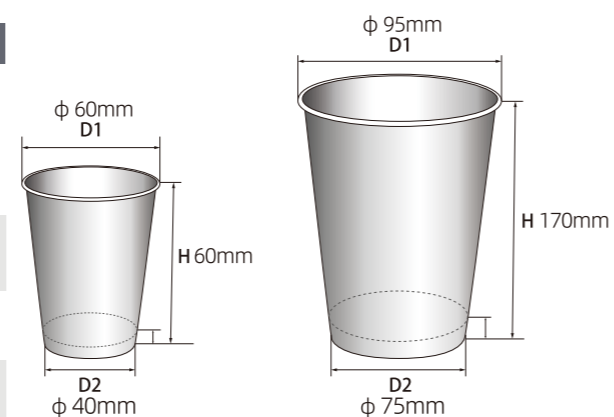
扫码观看138WT机器视频



The NEWTOP-138WT high speed intelligent paper cup sleeve machine is a model used for making double-walled cups. Based on the NEWTOP-1185 platform, this new generation double-walled cup forming equipment utilizes a rotary paper suction and in-line feeding mechanism, matched with a dual-turnstile process layout. It features EtherCAT high-speed bus communication technology, employing distributed clock synchronization and electronic cam coordinated control. Equipped with an online glue detection device, it uses a high-frame-rate industrial camera to monitor the glue coverage area in real time, and applies image algorithms to quantitatively analyze the glue layer distribution, eliminating defective products due to poor adhesion and ensuring stable product assembly quality. This machine is suitable for producing multi-specification paper cups with sleeves ranging from 6-20 OZ, and the sleeves can be made with flat or hollow processes, achieving a maximum production capacity of 160 pcs/min.

NEWTOP-138WT高速智能纸杯外套机是一款用于制作双层杯的机型。它基于NEWTOP-1185平台推出的新一代双层外套杯的成型设备，采用旋转吸纸与直列式送料机构匹配双转盘工艺布局，搭载ETHERCAT高速总线通讯技术，通过分散式时钟同步与电子凸轮协同控制，搭配胶水在线检测装置，通过高帧率工业相机实时监测胶水覆盖面积，运用图像算法量化分析胶层分布，杜绝胶合不良品，确保产品套合质量稳定。设备适配生产6-20oz多规格带外套纸杯，外套可做平贴和中空工艺，最高产能达160只/分钟。

型号	Model	NEWTOP-138WT
重量	Weight	3300kg
装箱规格	Machine encasement dimension	3300 x 1600 x 2100mm
额定功率	Rated power	Three-phase 380V, 15KW
压缩空气	Compressed air	0.6-0.8MPa, 0.5m ³ /min
纸张厚度	Paper thickness	0.2825~0.445mm
最大产能	Max Capacity	160pcs/min
纸杯材料	Paper materials	灰底白板/灰底白卡 灰底白板/灰底白卡 口杯纸 Base paper
纸杯规格	Product range	(D1)φ 60-95mm (H)60-170mm (D2)φ 40-75mm



MAX
160
PCS/MIN



品质保证
WARRANTY



NEWTOP-118DT

HIGH SPEED INTELLIGENT PAPER CUP SLEEVE MACHINE

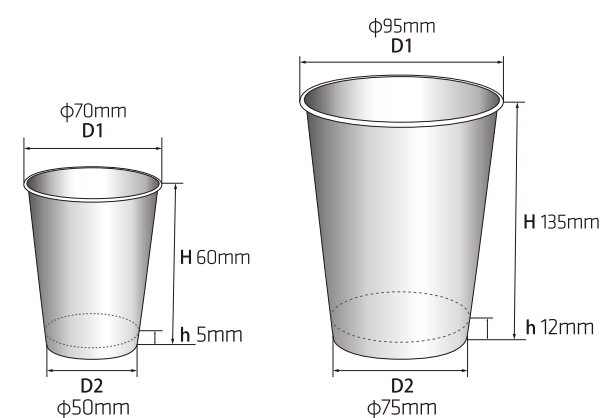
高速智能纸杯外套机



压瓦成型部份 (另选) EMBOSSED FORMING PART (OPTION)

NEWTOP-118DT high speed intelligent paper cup sleeve machine is using tabletop layout, which isolates the forming parts and transmission parts. All transmission parts are installed in the main frame under the table, using longitudinal shaft, barrel indexing cam and gear transmission, lubricated by oil bath. The forming parts are installed on the table, easy to access for cleaning and maintenance. Machine is controlled by PLC, the whole process is monitored by photoelectric sensors, glue sprayed by servo. Machine is good for making 6-18oz sleeved paper cup. It is an ideal equipment for making different type of sleeved cups, Embossing unit is an option according to customers' request.

型号	Model	NEWTOP-118DT
重量	Weight	2600kg
装箱规格	Machine encasement dimension	2800 x 1300 x 2250mm
额定功率	Rated power	Three-phase, 380V, 5KW
压缩空气	Compressed air	0.6-0.8MPa, 0.4 m ³ /min
最大产能	Max Capacity	中空/平贴: 150pcs/min Hollow/Pressed 双层瓦楞: 100pcs/min Corrugated 单层瓦楞: 80pcs/min Embossed
纸杯材料	Paper materials	灰底白板/白卡 Gray board/White board 单层瓦楞 Embossed
纸张厚度	Paper thickness	0.2825-0.4075mm
纸杯规格	Product range	(D1)φ70-95mm (H)60-135mm (D2)φ50-75mm (h)5-12mm (sleeve height)



扫码观看118DT机器视频

MAX
150
PCS/MIN



NEWTOP-118DT



外贴机系列 PAPER CUP SLEEVE MACHINE SERIES

品质保证
WARRANTY



*实际生产速度受产品尺寸、结构复杂度、原料特性及工艺要求影响,以最终方案推荐速度为准。
Actual production speed varies with product size, structure, material and process, and shall be subject to the final recommended speed.



NEWTOP-DXD110/150

HIGH SPEED INTELLIGENT PAPER CUP PACKING MACHINE

高速智能纸杯包装机

NEWTOP-DXD110/150 high speed intelligent paper cup packing machine integrates the functions of automatic feeding, sealing, sorting and venting. It can be linked with 2 sets of paper cup machines for fully automatic production. The 2024 new model increases the stopping receiving port. The packing machine can also operate independently when linked with the paper cup machine, and its shutdown won't affect the running of the paper cup machine! The length of film feeding can be adjusted automatically according to the size of paper cup caliber. Besides, labeling machine and inkjet printer are optional for tracking color labels, printing production date, production batch number and running number for paper container products. It is the best choice for automated production!

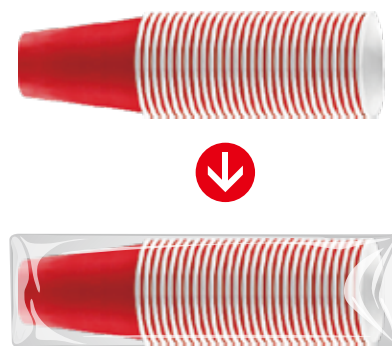
NEWTOP-DXD110/150高速智能纸杯包装机具有自动送料、封袋、分类和排气孔功能，可与2台纸杯机联动作全自动生产。2024款新机增加停机收料口，包装机与纸杯机联机时也可独立运作，且停机对纸杯机不产生影响！该包装机可根据纸杯口径大小自动调节送膜长度；可选配贴标机和喷码机，对纸容器产品作色标追踪、打印生产日期、生产批号和流水号，是自动化生产的最佳选择！

型号	Model	NEWTOP-DXD110/150
重量	Weight	1400 kg
机器装箱规格	Machine encasement dimension	2400 x 1700 x 2000mm (主机)
额定功率	Rated power	Double-phase, 380V, 5.5KW
压缩空气	Compressed air	0.5~0.7MPa, 0.3 m³/min
包装速度	Packing speed	15/12 bags/min
包装膜材料	Plastic film material	HDPE / LDPE
包装膜厚度	Packing film thickness	15um-50um
叠杯高	Stacking height	250-650mm
包装口径	Packing diameter	φ 55-70mm, φ 70-110mm, φ 110-150mm

www.debaochina.com

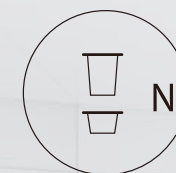


扫码观看DXD110/150机器视频



新德宝智能纸杯机,工作原来如此简单!

db@debaochina.com



NEWTOP-DXD110/150

品质保证
WARRANTY



配套系列
AUXILIARY SERIES



INOVANCE 亞德客
AIRTAC

NEWTOP-DKX530

INTELLIGENT PAPER CUP ENCASING MACHINE

智能纸杯装箱机

NEWTOP-DKX530 intelligent paper cup encasing machine adopts the integrated design of opening, loading and sealing, counting, transporting and automatic carton picking and forming functions. The new model adopts digital integrated control, which can complete a series of processes such as pushing the cups into the carton, automatically sending the carton, folding the carton back and forth, and sealing the carton with tape. The overall space occupation is small, the front end can be connected to the packaging machine, the back end can be connected to the roller conveyor line, four corners of the sealing equipment and inkjet labeling equipment. The lifting height can be adjusted based on the size of paper cup caliber and carton size. This equipment is the ideal choice for automated production!

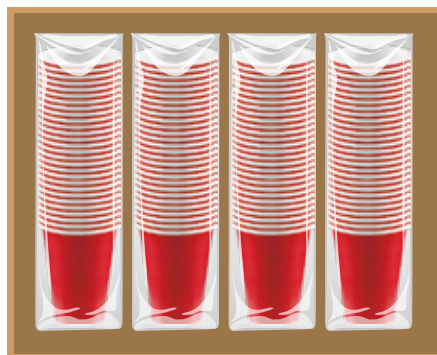
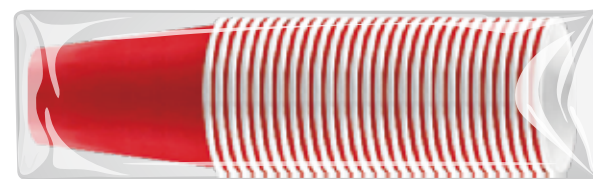
NEWTOP-DKX530智能装箱机采用开箱、装箱、封箱一体化设计，具备计数、运输、自动取箱成型功能。该新款机型采用数字化集成控制，能够完成推杯入箱、自动送箱、前后折箱、胶带封箱一系列过程。整体空间占用小，前端可联包装机，后端可联滚筒式输送线、四角封箱设备和喷码贴标设备等；可根据纸杯口径大小及纸箱大小调节升降高度，是自动化生产的理想选择！

型号	Model	NEWTOP-DKX530
重量	Weight	1500 kg
机器装箱规格	Machine encasement dimension	3500X2400X1750mm
电器规格	Electrical specifications	Three-phase, 380V, 3.5KW
气源规格	Air supply specifications	0.4-0.7MPa, 0.3m³/min
最大产能	Max Capacity	30Cartons/Hr
纸箱规格	Carton specifications	300X200X350-500X400X700
纸杯规格	Paper specifications	φ60-95mm(Cup) φ95-150mm(Bowl)

www.debaochina.com

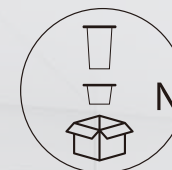


扫码观看DKX530机器视频



新德宝智能纸杯机,工作原来如此简单!

db@debaochina.com



NEWTOP-DKX530

品质保证
WARRANTY



配套系列
AUXILIARY SERIES



INOVANCE 亞德客
AIRTAC



NEWTOP-DK500

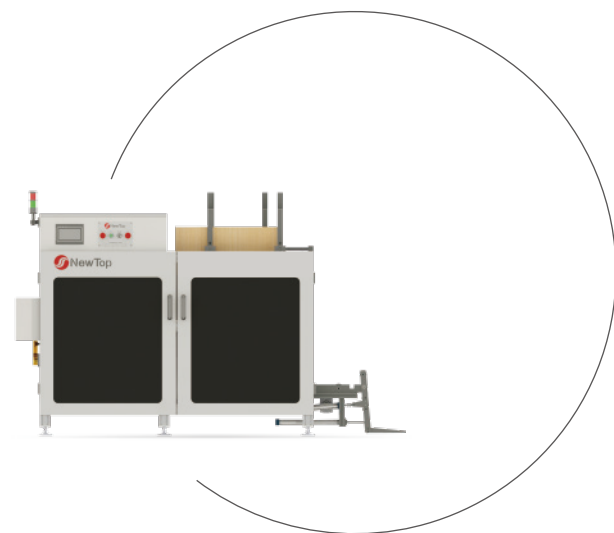
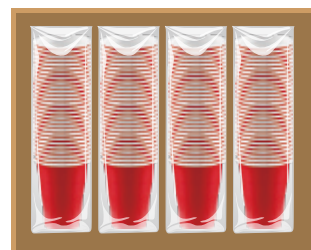
PAPER CUP ENCASING MACHINE

纸杯装箱机

NEWTOP-DK500 paper cup encasing machine has functions of paper cup auto-feeding, cup bags quantity identification, carton feeding and discharging. It can be linked up to 4 paper cup machines and 1 packing machine as an automatic production online. The lifting be adjusted according to the diameter of the paper cup and the carton size. It is an ideal machine for automation.

NEWTOP-DK500纸杯装箱机具有自动进杯、识别条数、进箱和出箱功能，可与多达4台纸杯机和1台包装(套袋)机联机进行全自动成产，且可根据纸杯口径大小及纸箱大小调节升降高度。是自动化生产的理想选择!

型号	Model	NEWTOP-DK500
重量	Weight	550 kg
机器装箱规格	Machine encasement dimension	1800 x 1600 x 2000mm
电器规格	Electrical specifications	Three-phase, 220V, 2KW
气源规格	Air supply specifications	0.4MPa, 0.5m³/min
最大产能	Max Capacity	30Cartons/Hr
纸箱规格	Carton specifications	500 x 400 x 700
纸杯规格	Paper specifications	φ 60-95mm(Cup) φ 95-150mm(Bowl)



新德宝智能纸杯机,工作原理如此简单!
db@debaochina.com



NEWTOP-DK500



NEWTOP-YB150

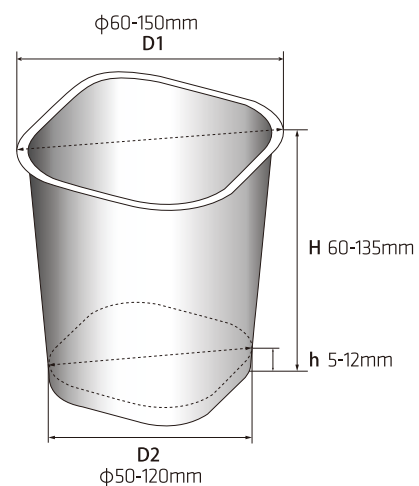
HIGH SPEED PAPER CUP RIM FLATTENING MACHINE

高速纸杯压平口机

NEWTOP-YB150 high speed paper cup rim flattening machine adopts tabletop layout, which isolates the flattening parts and transmission parts. All the transmission parts are installed in the main frame under the table and lubricated by grease with intermittent supply automatically. The upper devices are positioned around the indexing turret based on the forming process. The machine is controlled by PLC, the whole process is monitored by photoelectric sensors. This machine is good for flattening $\phi 60 - \phi 120$ mm paper cup rim.

NEWTOP-YB150高速纸杯压平口边机采用桌面式布局，将成型机构与传动机构分离。传动机构设置在台板下的箱体内部，采用油脂间隙式自动润滑。台板上部依据成型工艺设置在分度转盘周围。电气采用PLC控制，全程光跟踪监控，适合对直径60-120的纸杯进行压口。

型号	Model	NEWTOP-YB150
重量	Weight	2000 kg
机器装箱规格	Machine encasement dimension	2150 x 1450 x 2200mm
电器规格	Electrical specifications	Three-phase, 380V, 6.5KW
气源规格	Air supply specifications	0.4~0.6MPa, 0.4m ³ /min
最大产能	Max Capacity	120pcs/min
纸杯规格	Paper specifications	(D1) $\phi 60-150$ mm (H)60-135mm (D2) $\phi 50-120$ mm (h)5-12mm



www.debaochina.com



扫码观看YB150机器视频

新德宝智能纸杯机, 工作原来如此简单!
db@debaochina.com

MAX
120
PCS/MIN



配套系列
AUXILIARY SERIES



品质保证
WARRANTY



INOVANCE C&U 亞德客 AIRTAC

*实际生产速度受产品尺寸、结构复杂度、原料特性及工艺要求影响，以最终方案推荐速度为准。
Actual production speed varies with product size, structure, material and process, and shall be subject to the final recommended speed.

新德宝智能纸杯机,工作原来如此简单!

NEWTOP INTELLIGENT PAPER CUP MACHINE,
MAKE THE WORK SO SIMPLE!

MACHINE STANDARD AND OPTIONAL CHART 机型标配及选配表

序号 Number	机型名称 Model Name	机型型号 Model Number	外观配置 Appearance Configuration	在线检测仪 Online Inspection Instrument				联机配置 Outer Unit Optional Configurations														备注 Remarks
				立式 Vertical		卧式 Horizontal		上料部分 Loading Unit		收杯部分 Cup Handling Module				外套联机部分 Outer Unit Interconnect Module				管道 Pipeline				
				单相机 Single-camera	双相机 Dual-camera	三相机 Triple-camera	喷雾 Spray	纸片输送1 Paper Sheet Conveying 1	纸片输送2 Paper Sheet Conveying 2	理杯机 Cup Orienting Machine	横飞理杯机 Horizontal-flight Cup Orienter	叠飞理杯机 Stack-flight Cup Orienter	包装理杯机 Packaging Cup Orienter	一进一出理杯机 Single-Port Single- Discharge Cup Orienter	一进两出理杯机 Single-Port Dual- Output Cup Orienter	旋转机构 Rotary Mec- hanism	单联机通道 Single Interconnect Channel	分路三通 Tri-flow Diverter	弯头 Elbow	玻璃管 Glass Tube		
				○	●	○	●	540x1200	765x1200	●	○	○	○	○	○	○	●	○	○	○		
1	高速智能 纸杯机 High-Speed Intelligent Paper Cup Machine	NewTop-118S+SY		○	○	-	●	○	-	●	○	○	○	○	○	○	○	○	○			
2		NewTop-138S-ZY		○	○	-	-	○	-	●	○	-	○	○	○	○	○	○	○			
3		NewTop-118C		○	○	-	●	○	-	●	-	○	○	○	○	○	○	○	○			
4		NewTop-168C		○	○	-	●	-	-	○	○	○	○	○	○	○	○	○	○			
5		NewTop-168S9		○	○	-	●	-	-	○	○	○	○	○	○	○	○	○	○			
6		NewTop-1250S		○	-	-	●	○	-	○	○	○	○	○	○	○	○	○	○			
7		NewTop-1250D		○	-	-	-	○	-	●	-	●	-	-	-	○	-	-	-			
8		NewTop-5000S		○	○	-	-	-	○	●	○	-	-	-	○	○	○	○	○			
9		NewTop-5000D		-	-	-	-	-	○	●	-	●	-	-	-	-	-	-	-			

注:
(1) "●" 该机型标准配备 "○" 该机型选装配备 "-" 该机型不可选配
(2) 本目录内容根据印制时纸杯机配置状态信息编制。鉴于新德宝不断对纸杯机改型和改进, 具体细节请咨询浙江新德宝机械有限公司。

Remark:
(1) "●" Standard "○" Optional "-" Not Available
(2) This catalogue is made under current paper cup machine configuration. Since Newtop keep improving and innovating, for more details please contact with our company.

新德宝智能纸杯机,工作原来如此简单!

NEWTOP INTELLIGENT PAPER CUP MACHINE,
MAKE THE WORK SO SIMPLE!

MACHINE STANDARD AND OPTIONAL CHART 机型标配及选配表

序号 Number	机型名称 Model Name	机型型号 Model Number	外观配置 Appearance Configuration	在线检测仪 Online Inspection Instrument				联机配置 Outer Unit Optional Configurations														备注 Remarks
				立式 Vertical		卧式 Horizontal		上料部分 Loading Unit		收杯部分 Cup Handling Module				外套联机部分 Outer Unit Interconnect Module				管道 Pipeline				
				单相机 Single-camera	双相机 Dual-camera	三相机 Triple-camera	喷雾 Spray	纸片输送1 Paper Sheet Conveying 1	纸片输送2 Paper Sheet Conveying 2	理杯机 Cup Orienting Machine	横飞理杯机 Horizontal-flight Cup Orienter	叠飞理杯机 Stack-flight Cup Orienter	包装理杯机 Packaging Cup Orienter	一进一出理杯机 Single-Port Single- Discharge Cup Orienter	一进两出理杯机 Single-Port Dual- Output Cup Orienter	旋转机构 Rotary Mec- hanism	单联机通道 Single Interconnect Channel	分路三通 Tri-flow Diverter	弯头 Elbow	玻璃管 Glass Tube		
				○	●	○	●	540x1200	765x1200	●	○	○	○	○	○	○	○	○	○	○	○	
10		NewTop-5000D		-	-	-	-	-	-	●	-	●	-	-	-	-	○	-	-			
11	高速智能 纸杯外套机 High-Speed Intelligent Paper Cup Sleeve Machine	NewTop-118DT		○	○	-	●	-	-	○	○	○	○	○	○	○	○	○	○			
12		NewTop-138WT		○	○	-	●	-	-	○	○	○	○	○	○	○	○	○				
13		NewTop-118CDT		-	-	-	●	-	-	○	○	○	○	○	○	○	○	○				
14		NewTop-FB1005		○	○	-	●	-	○	○	○	○	○	○	○	○	○	○				
15	伺服纸杯机 Servo Paper Cup Machine	NewTop-FB158S		○	○	-	●	-	○	○	○	○	○	○	○	○	○	○				
16		NewTop-FW125S		○	○	-	●	-	○	○	○	○	○	○	○	○	○					
17		NewTop-FW125C		○	○	○ 特定尺寸	●	-	-	○	○	○	○	○	○	○	○	○				

注:
(1) "●" 该机型标准配备 "○" 该机型选装配备 "-" 该机型不可选配
(2) 本目录内容根据印制时纸杯机配置状态信息编制。鉴于新德宝不断对纸杯机改型和改进, 具体细节请咨询浙江新德宝机械有限公司。

Remark:
(1) "●" Standard "○" Optional "-" Not Available
(2) This catalogue is made under current paper cup machine configuration. Since Newtop keep improving and innovating, for more details please contact with our company.

SOLUTIONS OF PAPER CUP

纸杯工艺方案



Corrugated paper cup
瓦楞纸杯

This type of paper cup is combined by inner cup and outer sleeve. It has heat insulation effect, applying to hot drink cups. Material used for outer sleeve: corrugated paper or embossed paper. Pattern of embossing can be tailor-made.

这种纸杯由内杯和外套组成, 有较好的隔热效果。适用于各种热饮杯。外套的材质是瓦楞纸或压瓦纸。压瓦纸的纹路可以定制。

High thickness paper cup
高克重纸杯

This type of paper cup is made by high grammage paper. It has better appearance, good hand feeling and has certain heat resistance. Normally it is used for high-end product, especially for hot coffee cups.

这种纸杯采用高克重的纸张, 有较好的外观和手感, 并有一定的隔热效果。主要用于高端市场, 特别是咖啡杯。

Double PE paper cup
双PE纸杯

This type of paper cup is made by double PE paper, mainly used for cold drink. Since PE has water resistance character, it prevents condensation from softening paper cup.

这种纸杯是由双面PE纸做成, 主要用于冷饮。因为PE具有防水功能, 能阻止冷凝水的附着使杯子变软。



Appressed paper cup
平贴纸杯

This type of paper cup is combined by inner cup and outer sleeve. Different from corrugated cup, the material of this outer sleeve is gray board apprising on inner cup. It has certain heat insulation effect but has excellent printing effect, mainly used for hot drinks.

这种纸杯是由内杯和外套组成, 与瓦楞纸杯不同, 这种纸杯的外套是用灰底白板纸紧贴在杯上。有一定的隔热效果, 但印刷效果精美, 主要用于热饮。

Hollow wall paper cup
中空纸杯

This type of paper cup is combined by inner cup and outer sleeve. Different from appraised paper cup, there is a formed rim at the lower end of outer sleeve. It creates an air gap between inner cup and outer sleeve. By this air gap, it has excellent heat insulation effect. It has very good printing effect as well.

这种纸杯由内杯和套组成, 与平贴杯不同, 外套的下部做成一向内的弯卷, 使得外套与内杯形成一腔, 有更好的隔热效果并有很好的印刷效果。

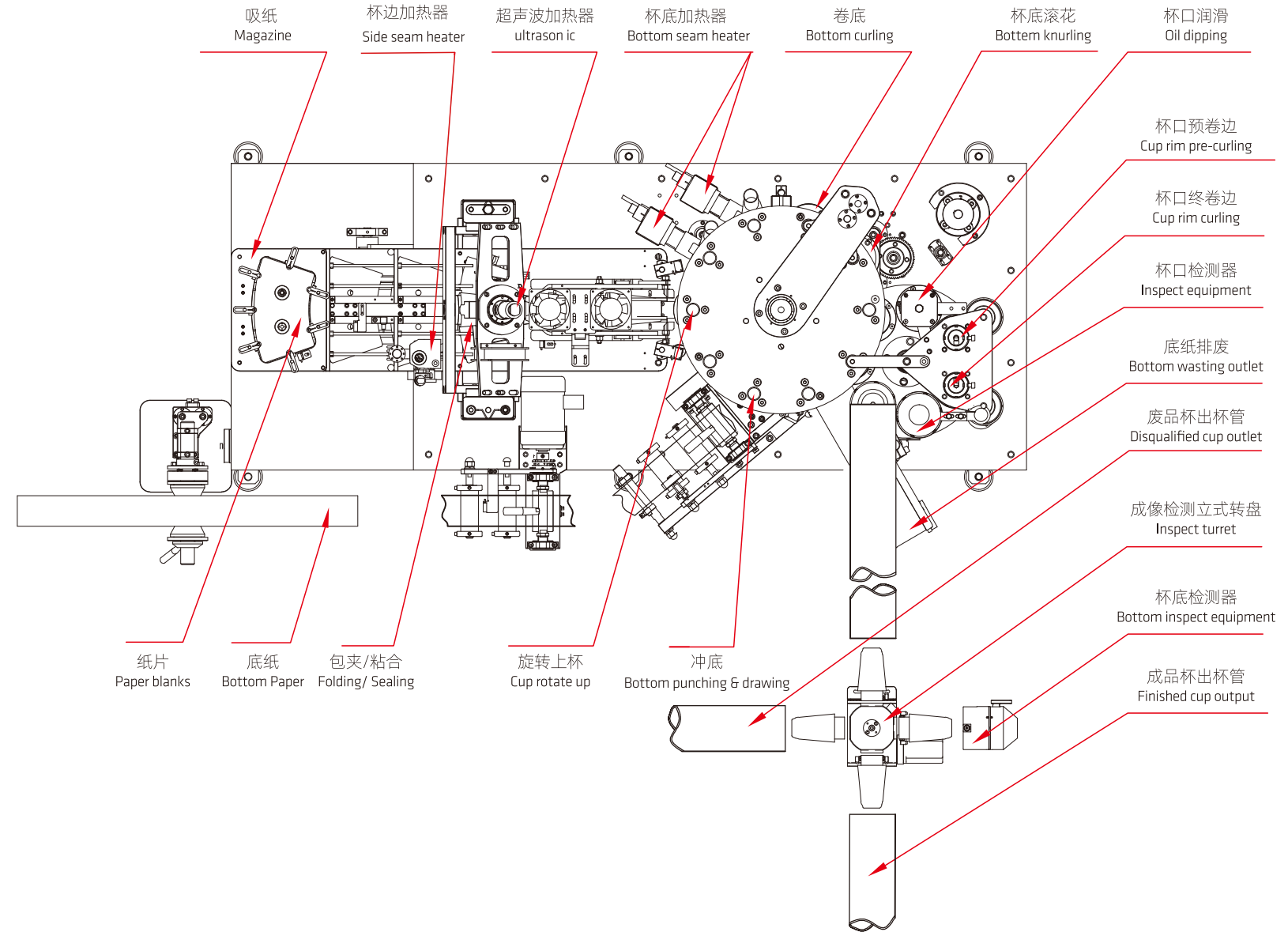
Paper sleeve plastic paper cup
纸塑杯

This type of cup is combined by plastic cup as inner cup and paper cup as outer layer. This combination absorbs advantages from both plastic and paper characters. It has excellent rim sealing effect and printing effect, no potential leak problem. Its strength is stronger than the same size of plastic cup or paper cup. By using different plastic materials it can be used for wide ranges.

这种杯子用塑料做内杯和纸杯做外套结合而成。这种组合杯融合了纸和塑料的优点, 有极佳的封口效果, 不存在漏的问题。其强度高于同等的纸杯或塑料杯。外层纸杯有很好的印刷效果。采用不同的塑料材质做内杯, 可使杯子在不同的领域都得到应用。

PAPER CUP FORMING PROCESS

纸杯成型工艺流程



- 吸纸 BLANK SUCTION
- 杯边加热 SIDE SEAM HEATING
- 包夹 / 粘合 FOLDING / SEALING
- 送底 BOTTOM INSERT
- 底部加热1 BOTTOM HEATING 1
- 底部加热2 BOTTOM HEATING 2
- 卷底 BOTTOM CURLING
- 滚花 BOTTOM KNURLING
- 蘸油 OIL DIPPING
- 预卷 TOP CURLING*1
- 终卷 TOP CURLING*2
- 出杯 PAPER CUP OUTPUT

NEW DEBAO 5S SERVICE SYSTEM

5S服务体系

1S

整机销售
MACHINE SALES



提供产品介绍、选型资料, 为客户定制产品
提供设计方案与咨询
Provide product introduction and selection,
customized products
Provide design and consulting

2S

配件销售
SPARE PARTS SALES



配件销售
保质期内配件更换或维修
Parts sales
Parts replacement or repair
under warranty period

3S

信息反馈
INFORMATION FEEDBACK



故障反馈统计
客户对设备改进建议反馈
Fault statistics feedback
Customer feedback for
equipment improvement

4S

售后服务
AFTER-SALES SERVICE



现场安装指导
辅助调试/日常维护
On-site installation guiding
Assistant trouble shooting
/ Routine maintenance

5S

解决方案
SOLUTION



保养人员的培训
设备托管
Technician training
Machine trustee
management

5S网点联系方式 CONTACTS FOR 5S NETWORK

河南省 HENAN PROVINCE	湖北省 HUBEI PROVINCE
联系人: 卢少华 13736922992	联系人: 杜盼 18757779666
Contacts: Lu ShaoHua	Contacts: Du Pan
MB: +86 13736922992	MB: +86 18757779666

土耳其 TURKEY BRANCH	
Contacts: Kitty Jjiang	Email: kitty@debaochina.com MB: +86 13967786185

俄罗斯办事处 ПРЕДСТАВИТЕЛЬСТВО В РОССИИ	
Email: db13@debaochina.com	Tel: +8613910880697 Василий Цюань Tel: +79138399300 Антон (Новосибирск)

意大利 ITALY	
Contacts: Aaren Zhou	Email: db11@debaochina.com MB: +86 13958815566

NEW DEBAO business scope covers all over the world, for providing reliable service for customers' production. NEW DEBAO treats "five in one" as the core of the intelligent paper cup machine marketing mode. We will set up NEW DEBAO 5S service shops world wide, professional technical engineers can provide customers with timely and efficient service.

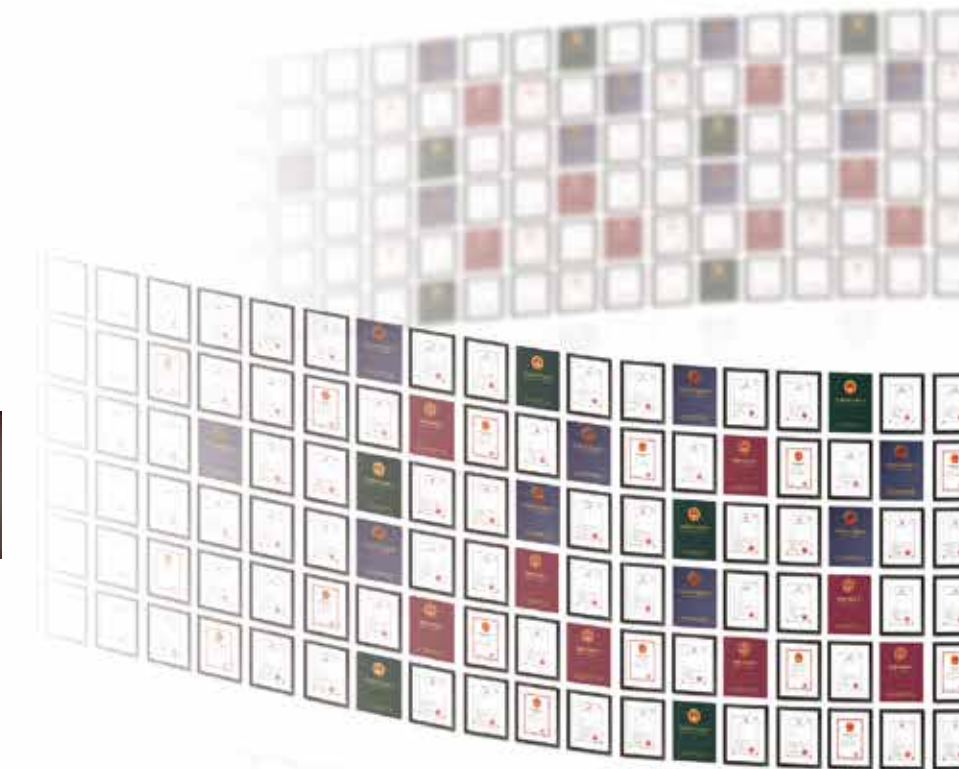
新德宝业务范围覆盖全球各地区, 为了给客户工厂的正常生产提供保障, 新德宝将以“五位一体”为智能纸杯机营销模式的核心, 在全球范围内设立新德宝5S店, 常年派驻一批专业的技术工程师为客户提供及时有效的服务。

二十年多不懈努力, 成就今日新德宝!

AFTER OVER TWENTY YEARS OF UNREMITTING EFFORTS, ACHIEVE TODAY'S BRILLIANT!

Since 2001, New Debao has been committed to the innovation and improvement of paper cup machine. With all New Debao staffs effort, we now get good reputation within the industry

自2001年创办以来, 新德宝一直致力于纸杯成型机的创新、精进, 在一批又一批新德宝人的不懈努力下, 并且得到行业内用户的好评。



NEW DEBAO REMOTE CONTROL MAINTENANCE SYSTEM

远程维护支持系统



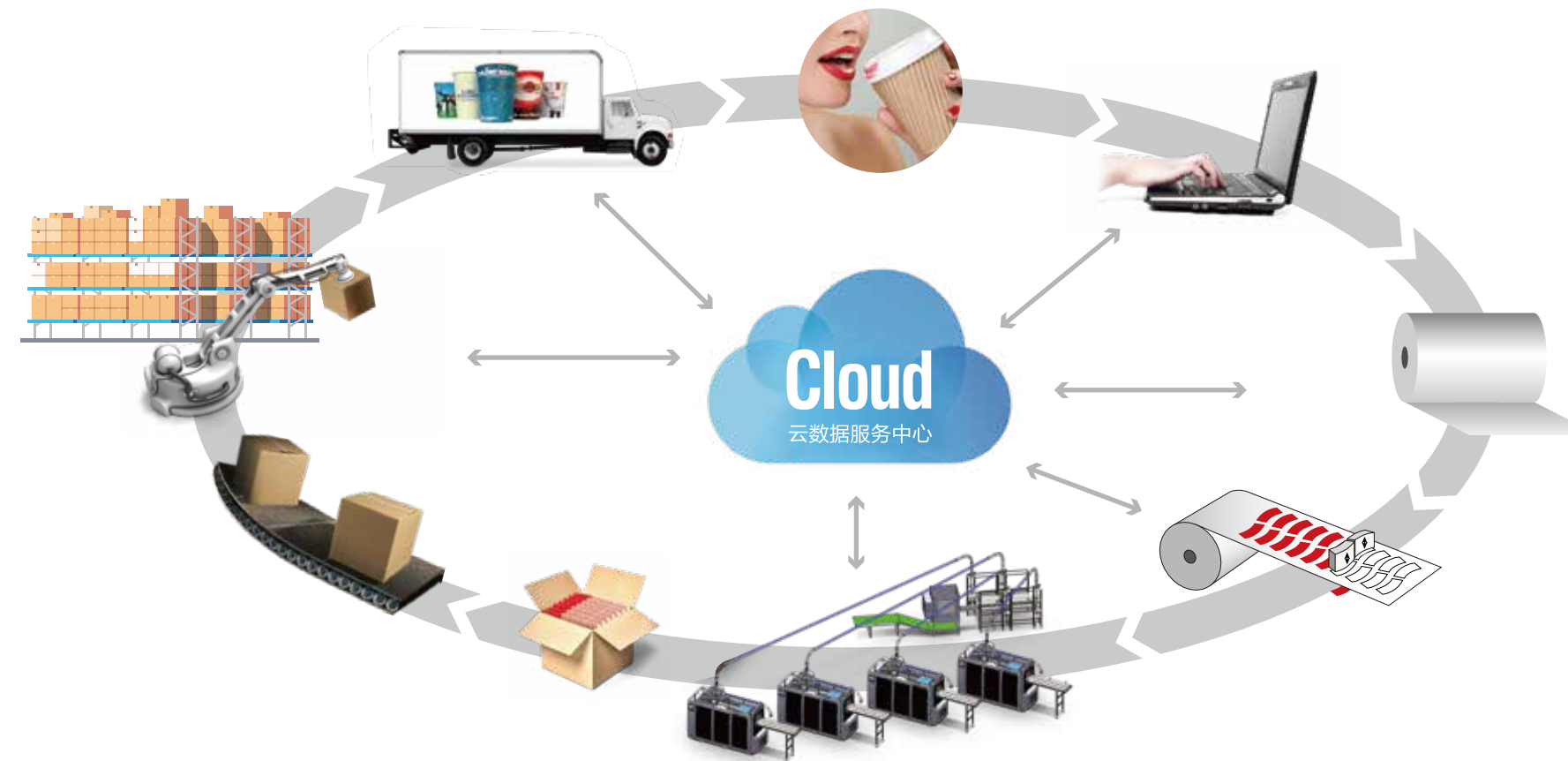
功能项目 FUNCTION ITEMS	诊断数据自动反馈功能 Data Diagnostic Evaluation and Automatic Feedback	系统自动升级功能 System automatic upgrade function	用户操作层 故障导航画面提示功能 Fault navigation screen remind function	用户管理层 生产统计报表 Production statistics report
功能内容 FUNCTION CONTENTS	在远程服务时, 用户可以让机器与我们建立远程连接, 然后使用手机专用APP软件直接查看我们发送的机器的故障详细信息以及最优的解决方案。	机器系统如有新版本会自动提醒, 用户可自行选择是否升级。	当机器发生故障时显示屏导航画面会自动提示故障点, 一般故障问题可自行处理。	机器可自动记录当天的操作人员, 机器的开机时间, 产能, 成品率, 次品率等并自动生成统计报表, 实时发送报表到用户指定的电脑终端。

NEW DEBAO DEVELOPMENT OF PAPER CUP INDUSTRY 4.0

新德宝纸杯工业4.0

新德宝致力于纸杯制造业4.0的研发。
从减少一线人员到无人化的智能工厂升级,
提供全方位、全体系、最佳组合的整体解决方案。
打造智能化无人车间、信息化互联网、数字化管理系统。

NewTop concentrate on the R&D of paper cup Intelligent industry 4.0
from reduce labors upgrade to unattended intelligent factory.
Provide all aspects, complete system, best combinaiton of cup project solutions.
Provide clients intelligent unattended workshop and digital managemant system





OUR CLIENTS 我们的客户

Our customers spread all over the world,
New Debao's view of clients: Treat customer's requirement as priority

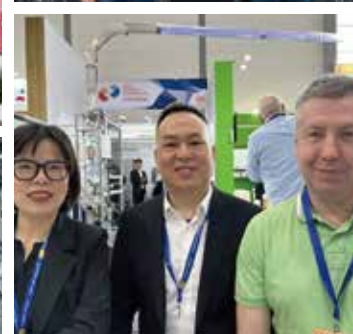
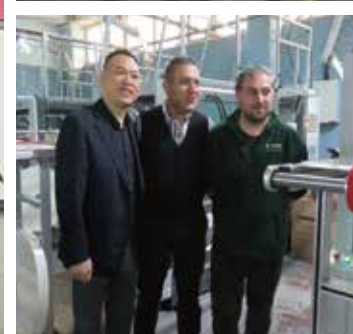
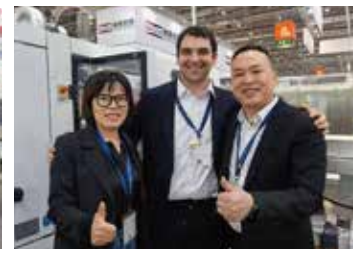
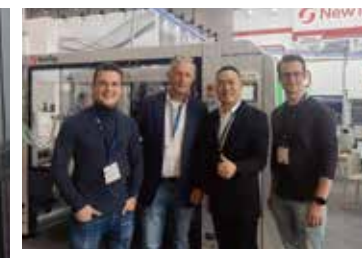
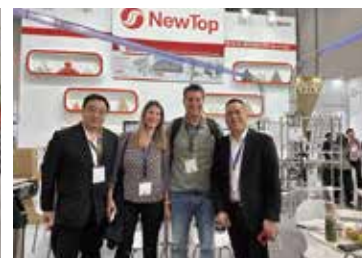
我们的客户遍布世界各地。
新德宝的客户观：一切以客户的价值需求为根本



CLIENTS' FACTORIES 客户工厂展示

NewTop's Vision
Make Intelligent Equipment
Change The World

新德宝的使命：
让智能设备改变世界



CORPORATE CULTURE

企业文化



New Debao create relationship as a family, school, army and supervisor, which also establish "New Debao business college" to ensure staffs learn from working by talents replication, improve self-thinking consciousness and achieve dream in the process of working.

新德宝创建家庭化、学校化、军队化、领导导师化，建立“新德宝商学院”，实现人才复制，使每个德宝人在工作中学习，在学习中工作，不断提升自我的思维意识，实现人生的梦想。



PRODUCTION WORKSHOP

生产车间

We now have more than 500 employees, with production capacity of 200 sets of machines per month. 现有员工500余人，月生产能力达200台以上。

Our processing equipments are equipped with world-class CNC multi-axis Turning-Milling compound, such as DMG MORI, Hardinge, Doosan, TSUGAMI, Mazak and so on. The laboratory is equipped with Zeiss three coordinates, Mitutoyo roughness measuring instrument, profilometer, SPECTRO spectrometer, Omega tool setter and other inspection equipment, to achieve the accuracy of inspection for machine parts, to ensure the overall reliability of the cup machines, to truly ensure the high quality, to achieve world-class product standards.

我们的加工设备配置世界一流的多轴联动（车铣复合-TURN MILLING COMPOUND）CNC数控加工设备，如德国德马吉（DMG MORI）、美国哈挺（HARDINGE）、韩国斗山（DOOSAN）、日本津上（TSUGAMI）、马扎克（MAZAK）等，同时实验室配有德国蔡司（ZEISS）三坐标、日本三丰（MITUTOYO）粗糙度测量仪、轮廓仪、德国斯派克光谱仪（SPECTRO）、德国欧美伽对刀仪（OMEGA）等等检验设备，实现了检验加工零件的精度，保证了纸杯机的整体可靠性，真正做到品质的高度保证，做到产品世界一流的标准。

